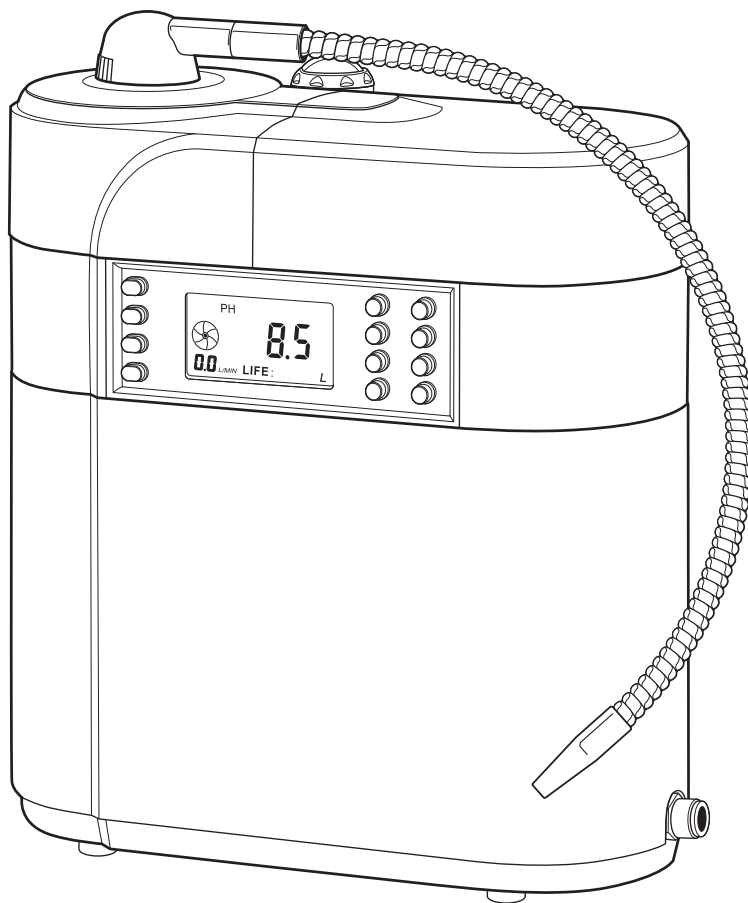


vollara®  
**LIVING  
WATER®**



**WATER IONIZATION, FILTRATION, pH OPTIMIZATION**

READ AND KEEP THIS MANUAL FOR REFERENCE PURPOSES

# PLEASE READ THIS MANUAL PRIOR TO INSTALLATION AND OPERATION

## IMPORTANT SAFETY INFORMATION

- Use only as described in this manual. Use only manufacturer's recommended attachments.
- Do not handle plug or appliance with wet hands.
- Unplug cord from outlet before servicing or replacing filters.
- Do not use with damaged cord or plug.
- Do not unplug by pulling on cord. To unplug, grasp the plug, not the cord.
- Do not operate if connections leak or leakage appears when water source is turned on.
- Do not attempt to remove the back cover or attempt to access the inner workings of the ionizer. There are no self-serviceable components, aside from filter replacement, which is accessed by a removable cover panel.
- Keep unit away from extreme environmental conditions.
- Maintain a clean and dry area around the ionizer. Never allow the unit to sit in standing water.
- Your new ionizer is intended as a point-of-use appliance only. Serious damage may result from misuse of your unit.
- Do not use with biologically unsafe water.
- This unit may be used in conjunction with pre-filters on your tap water. It is not intended for use with reverse osmosis systems and/or water softening systems.
- No medical claims have been made by the manufacturer or distributor. Always see your physician at the first signs of illness. The manufacturer or distributor is not responsible for adverse effects that may result from the use or misuse of ionized water.

### DO NOT DRINK:

- Any acidic water
- High pH alkaline water (above 9.5 pH)
- Acidic water discharged during auto-cleaning process.
- Acidic water discharged during production of alkaline water.

### ***IF UNIT HAS BEEN UNUSED FOR THREE (3) DAYS:***

You must start the self-cleaning function by first turning on the water to the ionizer and allowing it flow for at least 40 seconds. Then select an acidic water output and let the water flow for at least 2 minutes.

- Use clean tap water only.
- Do not drink ionized water if you are on medication or lack stomach acid.
- After changing either filter, allow water to run through unit for three (3) to five (5) minutes.
- Use ionized or filtered water as soon as possible.
- pH level should be checked after installation.
- Do not use aluminum containers with alkaline water.
- Do not use copper containers with acidic water.
- Do not use stainless steel containers. Stainless steel will rapidly reduce the ORP of the alkaline water.



### CAUTION:

This unit is intended for use with water temperatures below 95° F (35° C) only. Damage may occur if unit filters or internal components are exposed to hot water (temperature above 95° F).

## SAVE THESE INSTRUCTIONS

# PLEASE READ THIS MANUAL PRIOR TO INSTALLATION AND OPERATION

---

**IMPORTANT NOTICE:** Failure to install according to the User's Manual and in accordance with applicable city, state, and local plumbing codes can result in leaks and/or water damage and will void your warranty. We expressly disclaim any liability for damage caused by leaks and/or other water damage.

## DISCLOSURES

- No medical claims are made by the manufacturer or distributor, nor are they responsible for any adverse effects that may result from the use, or misuse of ionized water.
- Verify with your physician that prescribed medications or existing conditions will not be affected by drinking alkaline water.
- Do not take medications with alkaline water as alkaline ionized water may increase the effectiveness of the medication.
- Do not drink alkaline water if you have achlorhydria.
- Consult your physician before drinking alkaline water if you have:
  - A chronic disease.
  - A dysfunctional liver or intestines.
  - Are currently under medical treatment.
- Consult your physician if you have sensitive skin or allergies before using acidic water on your skin or hair.
- Consumption of alkaline water that is too high (greater than pH 9.5 or ORP of -450 ) may cause diarrhea or other symptoms.
- The unit is NOT INTENDED for use on microbiologically unsafe water. If you are unsure of the safety of your water source, have your water tested by a qualified water testing laboratory.
- Failure to comply with installation and operation instructions provided in this user's manual, or modification of any part of the system may invalidate the warranty. We are not liable for damage to the unit or personal injury as a result of improper installation or operation of the system.

## CHLORINE AND PH TEST REAGENTS

- Do not expose pH or chlorine test reagents to extreme heat or flames. They are combustible. Store in a cool, dry location. Keep reagents tightly sealed and store out of the reach of children.
- Do not drink pH or chlorine test reagents or allow them to get into your eyes. Do not apply to the body.
  - If either is ingested, do not induce vomiting, Call a physician or poison control immediately.
  - If either gets into your eyes, flush immediately with cool water. Call a physician.
  - If either gets on your body, wash off immediately with cool water. Call a physician.

# LIVING WATER USAGE AND SPECIFICATIONS

The Living Water is a water ionizer designed for use on a counter top or other sturdy surface where there is access to a COLD water supply, a drain, and an electrical outlet. The water supply to the water ionizer is attached to a sink faucet using a faucet head diverter valve. The alkaline water is delivered through the flexible steel hose on the unit. The acidic water drain line (3/8" flexible hose) from the water ionizer is placed in the sink. The water ionizer power cord is plugged into an appropriate electrical socket.

**NOTE:** Begin drinking alkaline water gradually as it is detoxifying. For example, drink 16 oz. of 8.5 pH water for several days, gradually increasing the amount you consume to your full daily amount of water. Increase one level each week until you are drinking your full daily amount of water at 9.5 pH.

Following this gradual procedure will minimize unpleasant effects of detoxification, such as cold or flu-like symptoms, headaches, rashes, diarrhea and/or nausea. You may notice differences in bowel habits during the first days at each pH level. Urination frequency may increase and color may darken as more water is consumed and your body detoxifies. Eventually the color decreases as your body adjusts to the cleansing.

If detoxification symptoms become uncomfortable, it is suggested that you decrease to a lower level alkaline water until these symptoms subside, then gradually build up to higher pH levels.

We recommend drinking half your body weight in ounces per day for hydration. One quart for every 30 pounds of body weight is better, and you can increase further as you are able.

## SPECIFICATIONS

Voltage	100 - 240 VAC / 50~60 Hz
Electrical	2A~6A DC
Electrode	10 cm
Power	95W (max), 2A
Dimensions	275w X 315h X 140d mm
ORP Output	+500mv to -400mv
Filter Life	10,000 liters*
Filter Chlorine Removal	<0.0001ppm (99.9999%)*
Water Temp	39°F (4°C) to 95°F (35°C)

**NOTE:** Chlorine removal and filter life will be affected by different water sources and maintenance of the water ionizer.

- pH and ionization is best when water flow rate is approximately 2.5 liters per minute as displayed on the screen.
- You may see numerous tiny bubbles in the water that are a result of the ionization process.



**WARNING:** Use the FILTERED (7.0) setting to consume medications as alkaline water will increase the potency of many medications. Check with your health practitioner to make sure prescribed medications for existing conditions will not be adversely affected by drinking alkaline water.

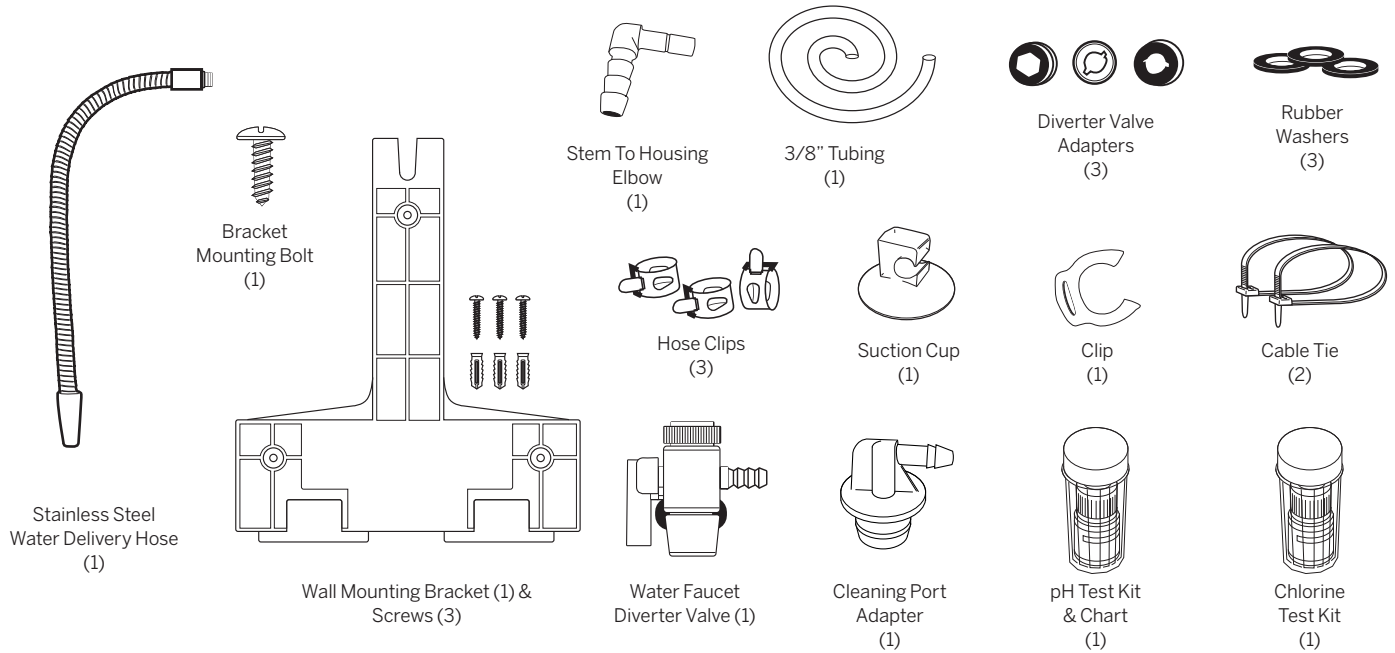
- Never drink the acidic water by-product from your unit.

**NOTE:** pH value and ionization setting versus actual water may vary based on source water properties.

# PACKAGE CONTENTS

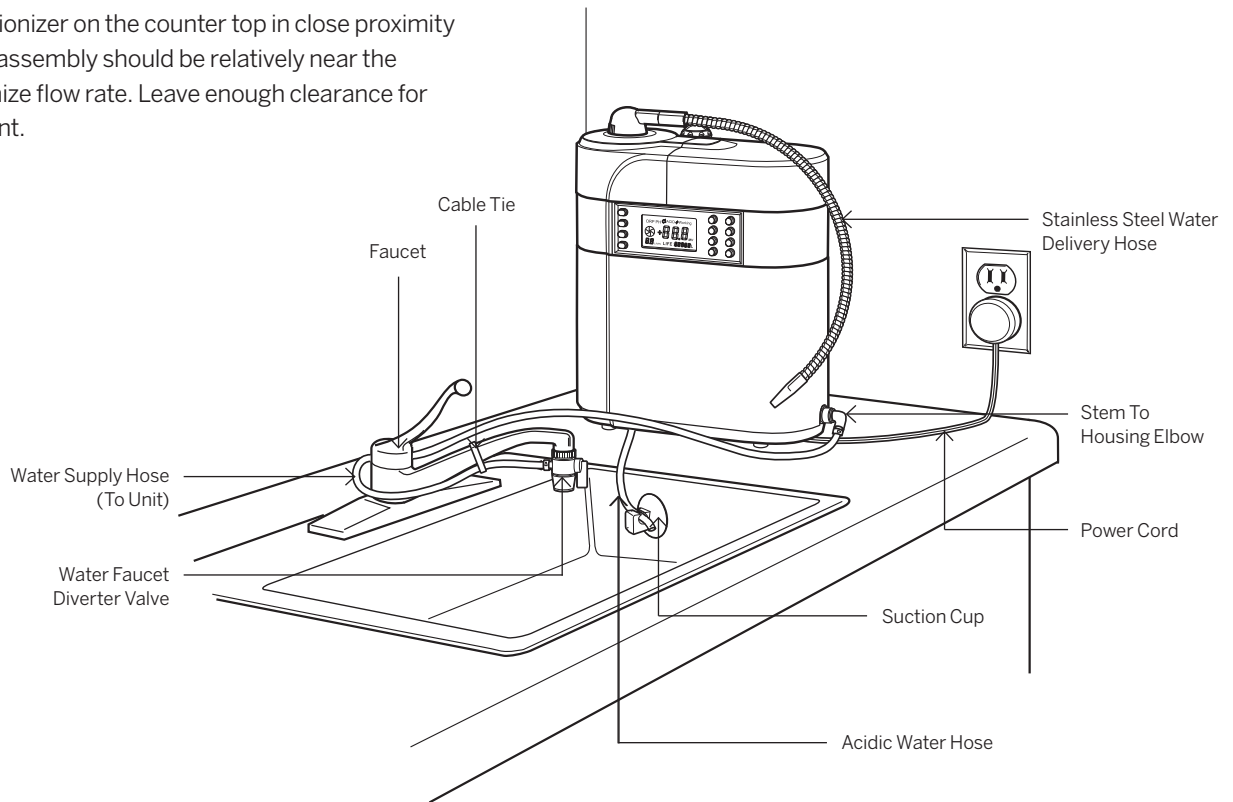
All parts for a typical installation are included with the purchase of your water ionizer. Other parts which are not included may be required for your specific installation need.

Carefully unpack your water ionizer, making sure all the parts listed on the diagram are enclosed.



# ILLUSTRATION OF SETUP

Place the water ionizer on the counter top in close proximity to the sink. The assembly should be relatively near the faucet to maximize flow rate. Leave enough clearance for filter replacement.



## INSTALLATION

---

**IMPORTANT NOTICE:** Failure to install according to the User's Manual and in accordance with applicable city, state, and local plumbing codes can result in leaks and/or water damage and will void your warranty. We expressly disclaim any liability for damage caused by leaks and/or other water damage.

- The water ionizer **MUST** be plugged into a grounded electrical outlet that is installed in accordance with all local codes and ordinances. Check with a qualified electrician if you are not sure whether the electrical outlet you intend to use is properly installed. Do not modify the electrical power cord or plug provided with the water ionizer and do not use any type of adapter. Improper grounding can result in risk of electric shock as well as damage to the water ionizer.
- Do not plug the water ionizer into an electrical outlet that will result in exceeding the amperage rating of the outlet or electrical wiring. This can result in fire, personal injury, or damage to the water ionizer.
- The water ionizer must operate in a dry location to prevent risk of electrical shock and/or damage to the unit.
- The water ionizer must operate on a **FLAT**, hard, level surface.
- Maximum static water pressure is 70 psi. Operating the water ionizer above this pressure may cause damage to the unit. For water pressure greater than 70 psi, use of a pressure regulator may be required.
- Connect the water ionizer **ONLY** to a **COLD** water supply. **DO NOT** run hot water through the unit. Damage will occur to filters and internal components if **HOT WATER** is supplied to the water ionizer.
- **DO NOT DRINK THE WATER PRODUCED WHEN THE WATER IONIZER IS IN ITS CLEANING CYCLE.** The cleaning cycle will automatically activate after every 12 minutes of use. This feature keeps minerals from building up on the electrodes.
- Use the **FILTERED (7.0)** setting when taking medications. Alkaline water will increase the potency of many medications. Check with your physician to make sure prescribed medications for existing conditions will not be adversely affected by drinking alkaline water on a daily basis.

**NOTE:** The installation information provided may differ for your specific installation. Read the installation section thoroughly before you begin as additional installation parts may be required beyond what is included. If you are unsure what parts are required or how to make the physical connections, it is strongly recommended you contact a licensed plumber.

## SOURCE WATER QUALITY

---

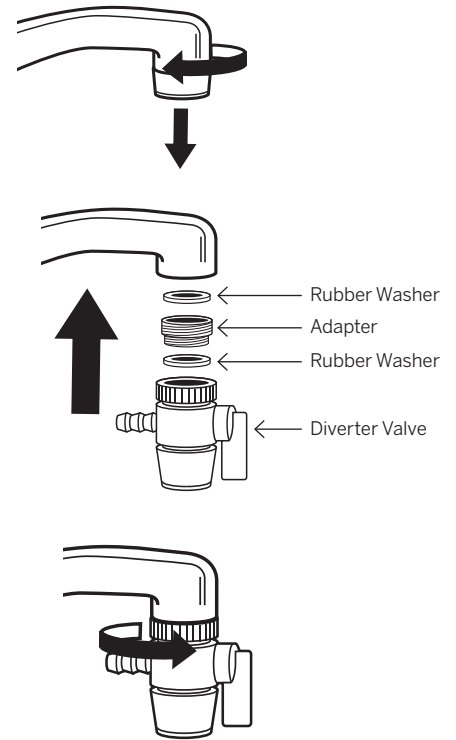
The quality and content of the source water provided to the water ionizer has a direct affect on the quality of the ionized water produced. This is true of ANY water ionizer. Tap water provided by municipal water companies typically has a pH value between 7.1 and 7.3, and a moderate water hardness of between 80 and 140 parts per million (these numbers can be determined using a TDS (Total Dissolved Solids) meter).

Such water will generally result in the production of high quality ionized water. Water supplied from other sources may vary considerably in quality and content. Water with excess sediment (typical of well water) generally requires a sediment prefilter. Your Vollara Independent Business Owner can help you decide if additional water conditioning is required and may suggest a solution which can then be ordered.

# INSTALLATION

## FAUCET DIVERTER INSTALLATION

1. Remove the aerator from the faucet head (put this in a location where you can find it if you ever need to reinstall it onto the faucet at a later date). This is usually done without tools by rotating counter-clockwise.
2. Assemble rubber washers, diverter valve adapter, and faucet diverter as shown. Tighten firmly. The use of pliers may be required to tighten the diverter. To help prevent damage, wrap a piece of cloth around the diverter or aerator before applying tool. With the diverter, you can use your sink normally and divert water to the ionizer as desired. Be careful not to overtighten as leakage or thread damage may occur.



## CONNECTING THE WATER SUPPLY

1. Cut the 3/8" tubing to a length that easily reaches from the faucet diverter valve to the water input port located on the bottom right side of the unit.

**NOTE:** When cutting tubing, be sure to cut tube square for proper installation.

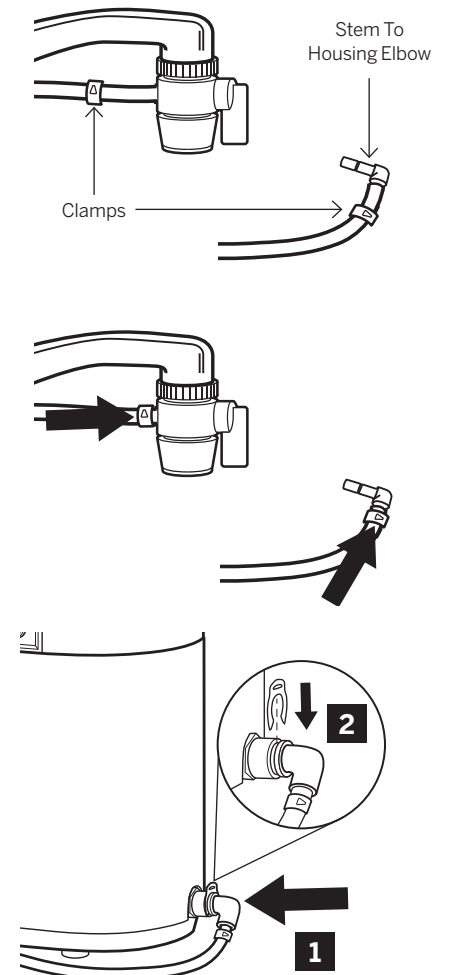


2. Slide one hose clamp over each end of the 3/8" tubing. Attach one end to the barb located on the side of the diverter valve, and the other over the barbed end of the stem-to-housing elbow.

**NOTE:** Use pliers to expand clamps



3. Slide each hose clip to about 1/8" of the tubing end to secure the tubing to the barbs.
4. Insert the stem-to-housing elbow **1** into the water input port located at the lower right side of the unit. Install clip **2** after inserting the stem-to-housing elbow.



# INSTALLATION

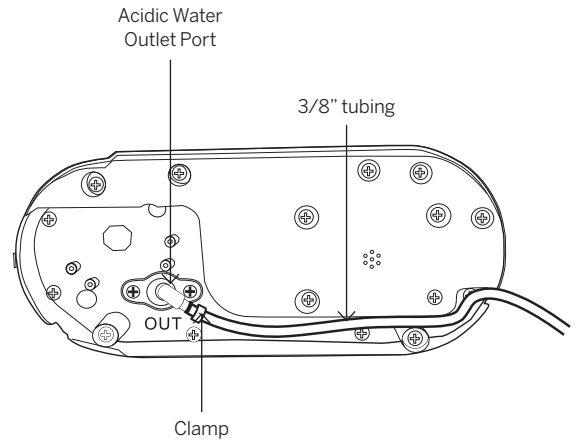
---

## CONNECTING THE DRAIN LINE

1. Cut a length of tubing sufficient to reach from your sink to the acidic water output port located on the bottom of the unit. Allow extra length in case you would like to collect acidic water for external or plant use.



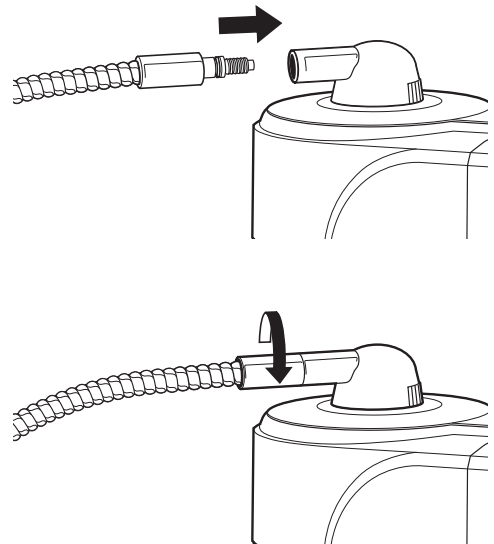
2. Slide a hose clamp over one end of the 3/8" tubing then attach the tubing to the acidic water output port connector. Secure the hose with the clamp. See illustration for proper hose routing.



---

## INSTALLING THE STAINLESS STEEL WATER DELIVERY HOSE

1. Thread the male threads of the stainless steel hose into the female receptacle located on the top of the water ionizer.
2. Hand tighten securely. To prevent damage to your unit, **DO NOT** use pliers or similar tools to tighten.

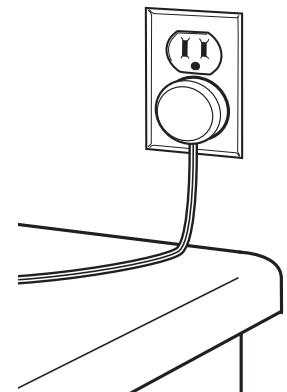


---

## CONNECTING POWER

1. Plug your unit's power cord into an appropriate grounded electrical outlet.

**NOTE:** After installation, you should let the water run for 3-5 minutes on the **FILTERED (7.0)** setting to clean any loose carbon particles from the filter. The water may appear a darker color at first, but this will disappear as the water runs.





# OPTIONAL WALL MOUNTING

## WALL MOUNT INSTALLATION USING THE WALL BRACKET

1. Select a suitable wall location to mount the unit. Allow sufficient overhead clearance to hang the unit on the bracket.

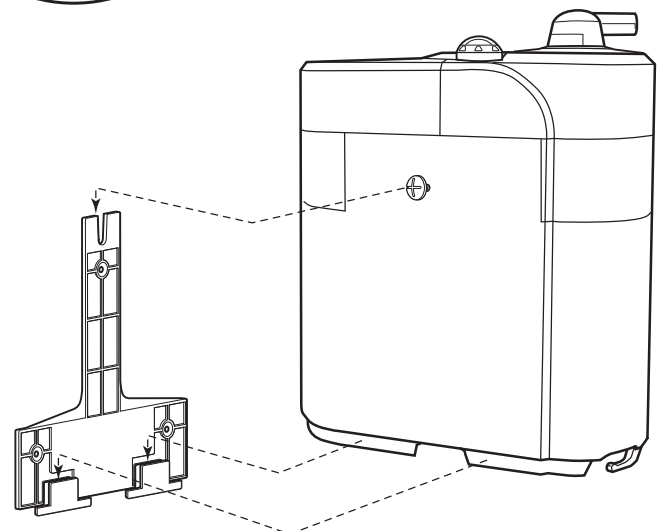
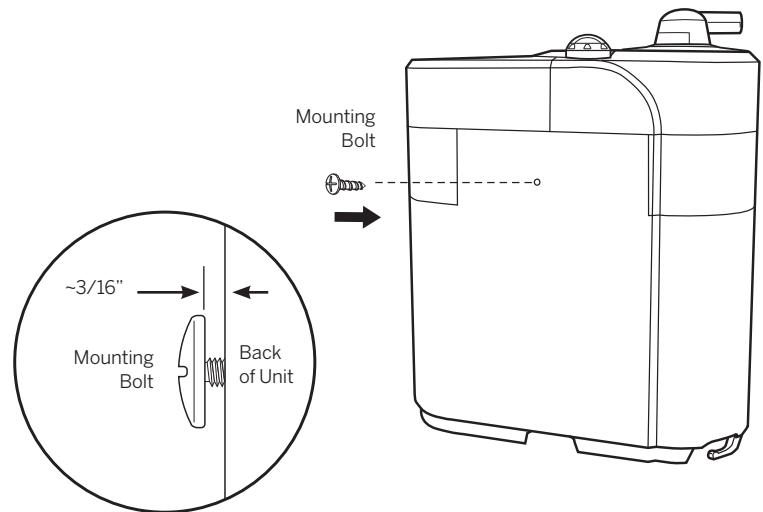
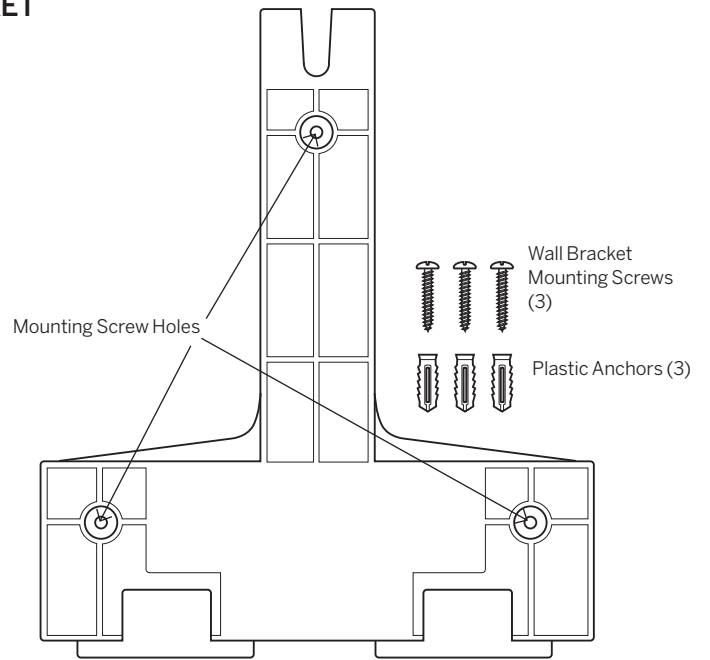
2. The wall bracket may be used as a template to mark locations for screws and plastic anchors (if used).

3. Drill holes and install plastic anchors as needed.

4. Secure the wall bracket to the wall using the supplied screws.

5. Install the mounting bolt into the back of the unit. Tighten to allow a space of approximately  $\frac{3}{16}$ " between the mounting screw head and the back of the unit.

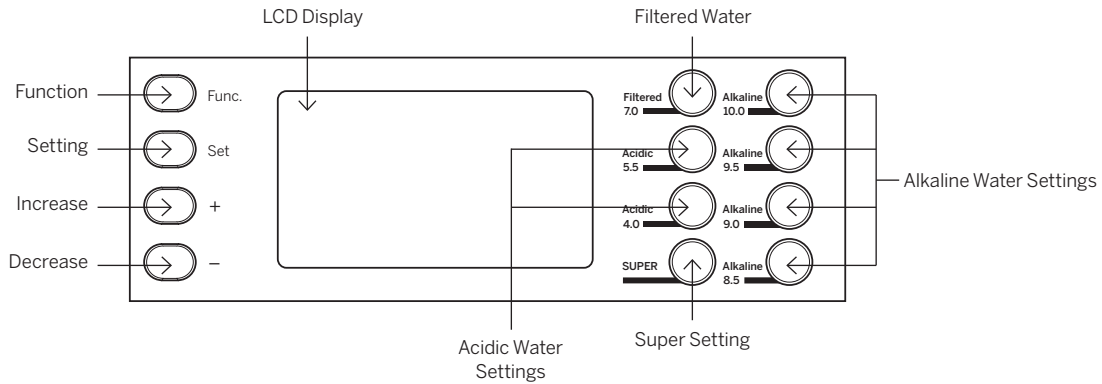
6. Hang the unit on the wall bracket.



# OPERATION

## CONTROL PANEL

**⚠ WARNING:** Make adjustments to Cln only **AFTER** changing the filters.



You can make **pH value** changes to settings **4.0, 5.5, 8.5, 9.0, 9.5 and 10.0**. You can make **ORP value** changes to settings **4.0, 5.5, 8.5 and 10.0**. No changes can be made to **FILTERED** or **SUPER** settings.

The ORP number displayed on the LCD may not represent the actual ORP output. Results are dependent upon source water and internal power variables.

Function (FUNC.) . . . . . With the water off to the unit the function button switches between pH, ORP and cleaning functions.

Setting (SET). . . . . Select and press the setting button to the desired pH or ORP water output.

Increase (+) . . . . . Press the button to increase the pH and ORP levels in the selected functions.

Decrease (-) . . . . . Press the button to decrease the pH and ORP levels in the selected functions.

## CHARACTERISTICS OF EACH WATER SETTING

Filtered 7.0 . . . . . This water should be used when taking medicines or with baby formula.

Acidic 5.5 . . . . . This water is astringent. This is not drinking water.

Acidic 4.0 . . . . . This water is astringent. This is not drinking water.

SUPER \* . . . . . A pH level down to 2.0+ is possible (super acidic water) using the salt port option shown on page 13. This water is astringent. This is not drinking water.

Alkaline 10.0 \* . . . . . High alkaline water is excellent for cleaning. A pH level of 11.0+ can be achieved using the salt port option.

Alkaline 9.5. . . . . Drink water at this level once you are adjusted to Alkaline 9.0, gradually increasing your consumption. This is the ideal setting once the body has adjusted to alkaline water. In the fourth week and thereafter, use this water for drinking, cooking, coffee, and tea.

Alkaline 9.0. . . . . Drink water at this level once you are adjusted to Alkaline 8.5, gradually increasing your consumption.

Alkaline 8.5. . . . . This is the STARTING LEVEL. Begin drinking water from this level for the first week, gradually increasing your consumption.

\*The ability to produce a high pH level is dependent on the source water.

# LCD DISPLAY

ORP / PH Levels . . . . . Indicates when display is showing **ORP** level or **pH** level of output water. Pressing **FUNC** changes the displayed information.

**NOTE:** water is not ready for use while **WORKING** is flashing.

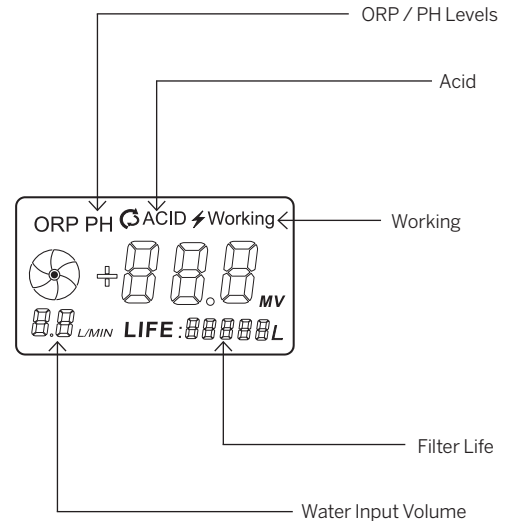
Acid . . . . . When acidic water output is selected, the unit will make a beeping sound. **ACID** will flash on the LCD screen until the water reaches the selected acidic level (beeping sound will continue while acidic water is produced).

Working . . . . . When water input reaches 1.2 liters/minute, ionization begins and Working will flash on the LCD Screen until the selected pH level is reached.

Filter Life . . . . . Normal filter life is 10,000 liters, depending on water quality. Change filter when display shows 10,000L or once a year, whichever comes first.

Water Input Volume . . . . . For best quality, adjust water input volume to 2.5 - 3.0 liters/minute.

Power Saving Mode . . . . . LCD screen automatically turns **OFF** after 20 seconds of non-use.



# AUTOMATIC ELECTRODE CLEANING

## AUTO-CLEANING NOTIFICATION

In order to clean the internal electrode and maintain proper function, your water ionizer will start an automatic self cleaning process after every 12 minutes of use. Before the auto-cleaning cycle begins, the unit's LCD screen will blink to notify you the automatic cleaning is ready to start.

## TROUBLE DISPLAY

Excess calcium deposits from "hard" water can build up on the unit's electrodes. When this occurs, **Working** will flash on the LCD screen and the unit will automatically adjust itself down one level. For example, when Alkaline 9.5 is selected, the unit will show 9.0 on the LCD screen. **The automatic cleaning cycle will resolve this issue in most cases.**



## THE AUTO-CLEANING CYCLE

Auto-cleaning helps remove calcium residue and cleans the internal electrodes. After 12 minutes of use, you will see the auto-cleaning notification (flashing LCD), followed by the auto-cleaning cycle. Note the auto-cleaning cycle will not begin until water is coming into the unit. When the 40 ~ 60 second auto-cleaning cycle starts, the unit will beep and the display will flash. **DO NOT DRINK THE ACIDIC WATER** produced by the automatic cleaning function.

The unit will stop beeping and the LCD will stop flashing when the auto-cleaning cycle is complete.

**IMPORTANT NOTICE:** If you are using the ionizer and it is time to self clean, the unit will "on its own" change to the filtered water setting (7.0), shutting down the ionization process until it performs the self cleaning.

**NOTE:** LCD will flash a red light during self-cleaning mode.

# FILTER REPLACEMENT

**NOTE:** It is recommended that the Citric Acid Electrode Cleaning be done with the old filters left in the unit. Once the unit is cleaned, filters can be replaced.

**NOTE:** Water will drain out the bottom of the unit when the old filters are pulled out. This is normal. Before installing the new filter, shake the unit slightly to remove any water. The unit has drain holes on the bottom to help remove this water.

You need to change the filters and clean the unit when one of the following occurs:

- When the LCD display shows 10,000L
- Every year, even if the display is showing less than 10,000L
- If the output water develops a peculiar odor
- If the output water flow is significantly reduced

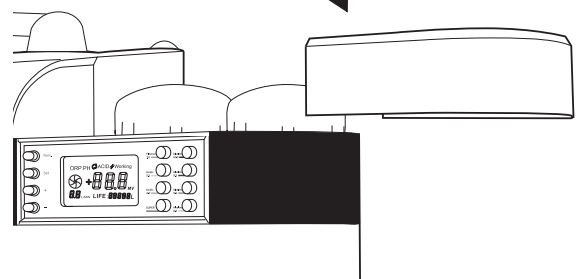
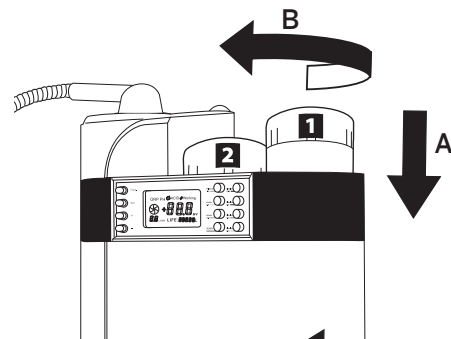
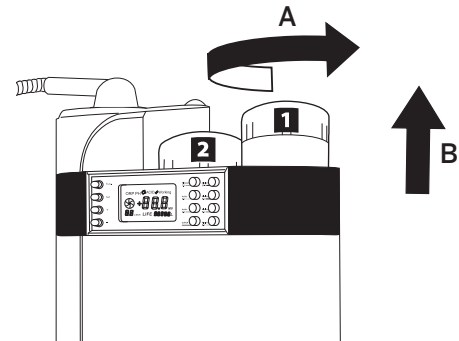
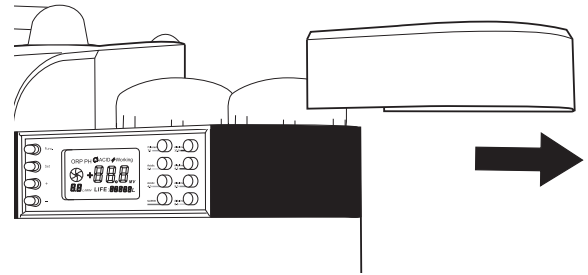
**NOTE:** low water pressure and/or turbidity (unclear or muddy water) will reduce filter life.

1. Remove the filter cover by sliding towards the right.
2. Remove the old filters by turning counter-clockwise (A) then lifting up and out of unit (B).
3. Install the new filters by reinserting (A) then turning clockwise (B).  
Note: the Carbon filter label is marked "1" and the Calcium filter label is marked "2".
4. Replace the filter cover.

## AFTER CHANGING THE FILTER:

1. Press FUNCTION
2. You will see CLN on the display.
3. Press SET
4. Press –
5. You will hear a beeping sound.
6. Filter Life has been reset

**CAUTION:** Before using the unit with new filters, run water through the water ionizer 3 ~ 5 minutes with the power **OFF**. This will clean any fine particles from the filter cartridges.



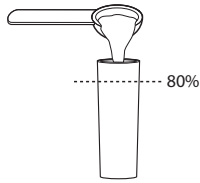
# SUPER ACIDIC WATER / SALT PORT

**CAUTION:** Super acidic water is for external use only. **DO NOT DRINK** acidic water from your water ionizer.

A pH level down to 2.0+ is possible (super acidic water) using the salt port option. This water is astringent.

1. Remove the salt port cover by turning counter-clockwise.
2. Remove the salt tube from the unit.

3. Fill the salt tube 80% with edible salt (sea salt is preferred) - this will produce approximately one quart of super acidic water.



**NOTE:** Do not over fill past hole or tube may clog

4. Reinsert the salt tube taking care to align the key on the outside of the tube with the key slot in the unit. **DO NOT** force the tube. The salt tube must be completely inserted before installing cover.

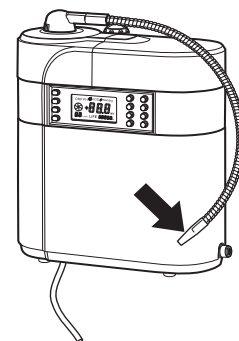
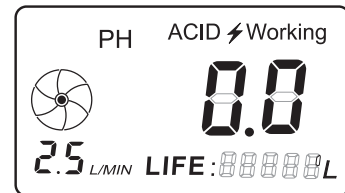
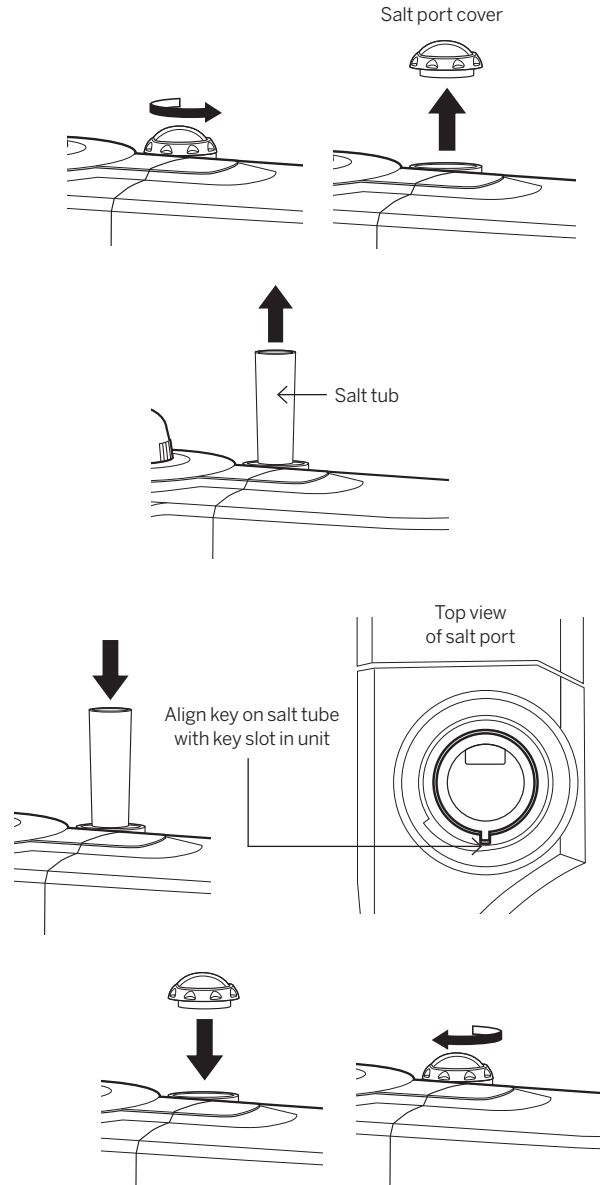
5. Replace the salt port cover. Gently finger tighten, turning clockwise.

**CAUTION:** Never operate unit without salt port cover securely locked in place.

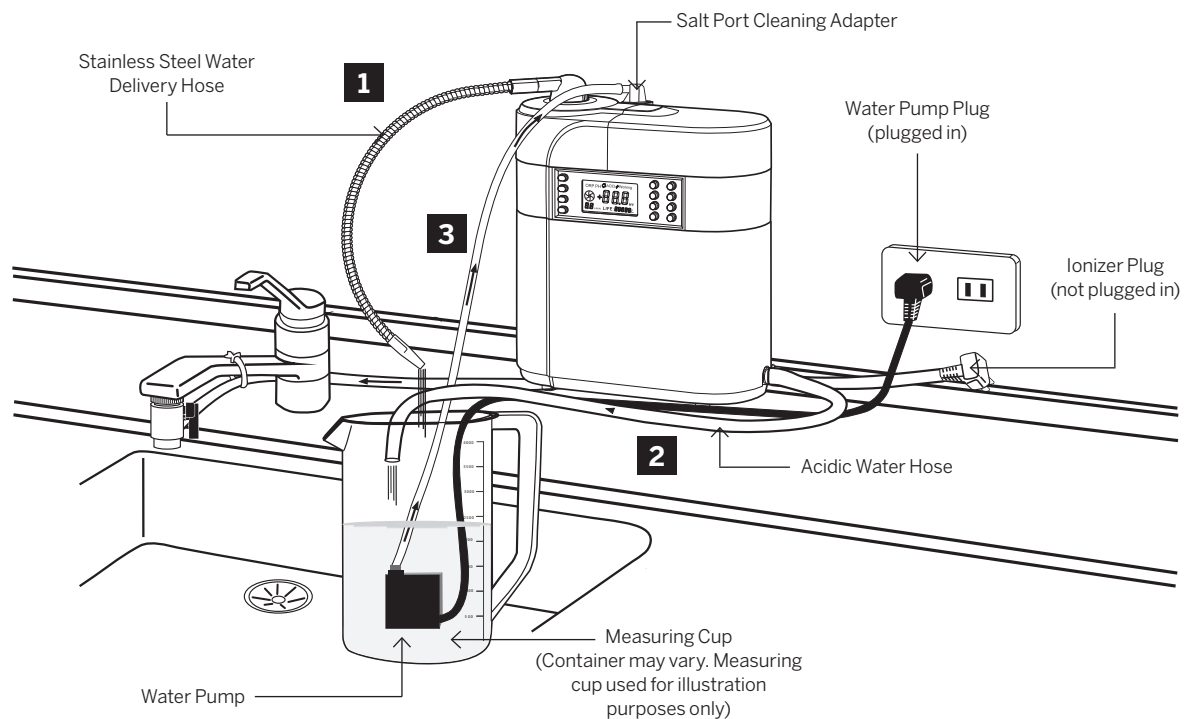
6. Turn on the water to the unit, taking care with the amount of water flow. Set the water flow to display 2.5 - 3.0 liters/min.

7. Press the **SUPER ACIDIC** button to set the unit to produce super acidic water.

**CAUTION:** Remove any remaining salt from the salt tube after making super acidic water



# CITRIC ACID ELECTRODE CLEANING



**NOTE:** The stainless steel water delivery hose **1** and the acidic water hose **2** should be set up to recycle the cleaning solution to and from the measuring cup.

Citric acid electrode cleaning should be performed a minimum of once per year to maintain proper unit function. Higher TDS in source water may require more frequent cleaning.

Water pump and Citric Acid Cleaning Kit can be purchased separately. Contact your Independent Business Owner for more information.

**NOTE:** During citric acid electrode cleaning, the unit does not require power. Disconnect power from the unit by unplugging before beginning cleaning procedure.

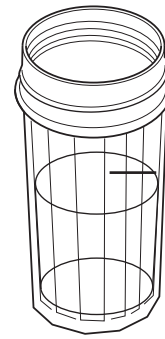
**NOTE:** It is recommended that the Citric Acid Electrode Cleaning be done with the old filters left in the unit. Once the unit is cleaned, filters can be replaced.

1. Pour 3 quarts of tap water into a gallon container.
2. Mix a packet of citric acid powder with water in the gallon container. Make sure the powder is completely dissolved before proceeding.
3. Attach flexible tubing **3** to pump and carefully lower pump into gallon container of citric acid solution, then attach the tube to the salt port cleaning adaptor
4. Attach the salt port cleaning adapter to the salt port.
5. Place the flexible stainless steel water delivery hose and the acidic water hose inside the gallon container.
6. Plug in the pump to begin cleaning cycle. Allow pump to operate for 40~60 minutes.
7. After the cleaning cycle has been completed, place the drain tube and stainless steel flexible hose back over the sink. Allow the unit to operate on the filtered water setting for 10 minutes to flush out remaining citric acid from the unit.

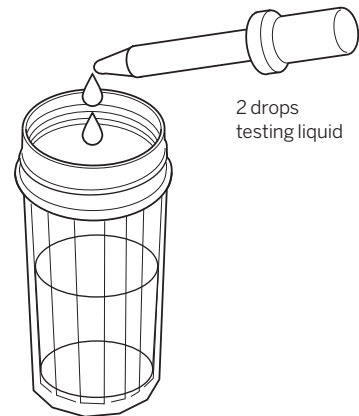
# PH TESTING

## TESTING THE PH VALUE OF YOUR IONIZED WATER

1. Turn on your water ionizer and let it run for about 10 seconds until “Working” is not flashing on the LCD display.
2. Fill the included plastic vial half full of ionized water.
3. Add two (2) drops of pH Testing Liquid to the water in the vial.
4. Compare the color of the water with the pH color chart to determine the pH level of your water



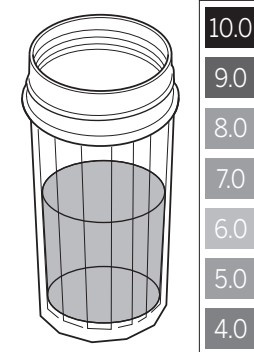
1/2 vial  
ionized  
water



2 drops  
testing liquid

**NOTE:** Both the pH and chlorine tests are approximations. Digital meters are required for exact measurement.

You can also test the amount of chlorine in your water using a chlorine test kit and similar technique. The chlorine test result should be yellow from your tap water, and colorless from the ionized water.



### CAUTION:

- Keep the testing kits out of the reach of children
- Do not expose pH or chlorine test reagents to extreme heat or flames. They are combustible. Store in a cool, dry location. Keep reagents tightly sealed and store out of the reach of children.
- Do not drink pH or chlorine test reagents or allow them to get into your eyes. Do not apply to the body.
  - If either is ingested, do not induce vomiting and call a physician or poison control immediately.
  - if either gets into your eyes, flush immediately with cool water. Call a physician.
  - if either gets on your body, wash off immediately with cool water. Call a physician.
- pH levels should be checked after installation.
- Check pH level and maintain your unit regularly.

## TROUBLESHOOTING

Symptom	Possible Cause	Possible Solution
Water flow has decreased. The amount of water coming out of unit getting less and less	Clogged filter(s)	Replace Filter(s)
	Water source line pinched	Check tubing for kinked or bent restrictions
	Stainless steel water delivery hose may be bent	Straighten or replace the hose
	Inlet valve (diverter valve) not fully opened	Make sure the inlet valve is completely opened
Odor or bad smell	Filter life has expired	Replace filter(s)
	Excessive amounts of sulfur in the water	Use a sulphur pre-filter
Water has chlorine taste	Filter needs replacing	Replace filter(s)
	Source water has high chlorine content	Additional pre-filter may be required - contact your Independent Business Owner
Solids found in water	Mineral deposits	Allow the water ionizer to perform an automatic self cleaning cycle
After replacing filters, <b>FILTER LIFE</b> on LCD screen still empty	Filter Life was not reset	Reset the Filter Life (see <b>REPLACING FILTERS</b> )
No power to LCD screen	The unit is not plugged in	Plug unit into power source
	The electrical outlet may not have power	Test electrical outlet or call your electrician
	Power Saving Mode will turn off the LCD screen after 20 seconds of non-use	Turn on the faucet and the unit will start again
Water leakage	Fittings or hose connections not installed properly	Secure hoses and connections on the unit
	Damaged o-rings	Check all o-rings and replace if necessary
Water running at front of unit	Filter(s) are not properly seated	Re-seat filter(s)
Water puddling under unit	Incoming or drain line is not installed properly.	Secure incoming line or drain line
pH test yields acidic results when unit is set for alkaline water	Water tested too soon after cleaning cycle	Allow water to run for 30 seconds before testing pH again



## FREQUENTLY ASKED QUESTIONS

---

**Q: *What is the white powder that sticks to a cup or kettle?***

A: Alkaline-forming minerals, including calcium, magnesium, sodium, potassium, iron, and manganese will appear after boiling alkaline water. This mineral residue shows up as a white powder and is generally safe if consumed.

**Q: *What kind of water should be used?***

A: Only potable water should be used with this water ionizer.

**Q: *Do I have to unplug the unit if I don't use it for over one week?***

A: Yes. Please remove the filters from the unit, drain the water from them, store in a clean plastic bag, then place it in the refrigerator (DO NOT place in the frozen section). Unplug the unit. When you need to use your water ionizer again, install the filters and let the unit run for about three (3) minutes before you drink.

**Q: *Why are there little bubbles in the ionized water?***

A: The water mixes with air during the ionization process.

**Q: *Why is it unsafe to take medicine with ionized water?***

A: Because the water makes the medicine more absorbable in the body. A 50 mg tablet could affect your body as if it were a 100 mg tablet.

**Q: *Can a baby drink alkaline water?***

A: No, a baby should drink regular filtered water, or pH level of 7.0.

**Q: *What does the acidic water do?***

A: Acidic water is for cleaning and skin cleansing. Use acidic water for external purposes only.

**Q: *Who should drink ionized water?***

A: Everyone; young, old, human, or animal. The alkaline effect will be beneficial to some degree to nearly everyone and everything it comes in contact with.

## INSTALLATION PROBLEMS?

---

If you experience installation problems, read the manual first to make sure you have installed the unit correctly. Call Customer Service at 800.989.2299 for more information.

# LIMITED 5 YEAR WARRANTY

Customer should not repackage and ship the Living Water® unit due to possibility of irreparable damage. For warranty service, please contact your Independent Business Owner for the address of the nearest service center, or call Customer Service at 800.989.2299.

## WHAT IS COVERED BY THIS WARRANTY?

We warrant the Living Water® (excluding filters) to the original purchaser, subject to the conditions below, against defects in workmanship or material, provided that the products are returned to an authorized service location within five (5) years from the date of purchase.

Our products are authorized for sale through Independent Business Owners only. All warranties are void if a product is purchased through unauthorized channels. We will not extend warranty coverage on any product sold in a manner that violates our Internet advertising policies and guidelines. This includes websites that are not authorized to use our trademarked names, images and logos, as well as Internet auction sites. These websites would include ebay® and Craigslist®. If a valid serial number is missing from the product, the warranty will be voided. To confirm warranty coverage prior to purchasing a product, contact us at 800.989.2299 with the serial number located on the back of the unit.

## INSTALLATION AND MAINTENANCE REQUIREMENTS

This warranty is expressly conditioned upon the following installations and maintenance requirements: (i) the Living Water® must be installed in accordance with the Owner's Manual; (ii) all filters must be replaced at the intervals prescribed in the Owner's Manual (proof of filter change may be required); (iii) system must be cleaned annually with a citric acid cleaning kit; and (iv) the Living Water® must be used and maintained in accordance with the Owner's Manual. Failure to meet any of these requirements will void this warranty. Servicing of your Living Water® by parties other than our authorized representative and/or using parts other than genuine parts will also void this warranty.

## HOW TO OBTAIN WARRANTY SERVICE

Customer must contact the Company or their authorized Independent Business Owner and provide proof of purchase within the above time periods. We will repair or replace and return the product, without charge and within a reasonable period of time, subject to the conditions in the above paragraphs, if our examination of the product discloses any part to be defective in workmanship or material. If we, in our discretion, are unable to repair the product after a reasonable number of attempts, we will provide either a refund of the purchase price or a replacement unit, at our option.

## WHAT IS NOT COVERED BY THIS WARRANTY?

This product is intended for household use only and only for use with municipal water systems. Ordinary wear and tear shall not be considered a defect in workmanship or material.

These warranties do not apply to filters nor for loss or damage caused by accident, fire, abuse, misuse, improper installation, leaking, modification, misapplication, commercial use, or by any repairs other than those provided by our authorized service location. This warranty does not cover any water damage.

## EXCLUSION OF OTHER WARRANTIES AND CONDITIONS

EXCEPT AS PROVIDED HEREIN, WE MAKE NO REPRESENTATION OR WARRANTY OF ANY KIND. ALL OTHER WARRANTIES OF ANY KIND, EXPRESS OR IMPLIED, ARE HEREBY EXPRESSLY DISCLAIMED, INCLUDING ANY IMPLIED WARRANTY OF MERCHANTABILITY OR FITNESS FOR A PARTICULAR PURPOSE.

## LIMITATION OF LIABILITY FOR SPECIAL, INCIDENTAL, OR CONSEQUENTIAL DAMAGES

WE SHALL NOT IN ANY CASE BE LIABLE FOR SPECIAL, INCIDENTAL OR CONSEQUENTIAL DAMAGES ARISING FROM BREACH OF EXPRESSED OR IMPLIED WARRANTIES, CONDITIONS, GUARANTEES OR REPRESENTATIONS, BREACH OF CONTRACT, NEGLIGENCE OR ANY OTHER LEGAL THEORY. Such excluded damages include, but are not limited to, loss of profits or revenue, and loss of the use of the products, and any loss caused by leaks or other water damage.

## FOR U.S. APPLICATION ONLY.

This warranty gives you specific legal rights, and you may also have other rights which vary from state to state. Some states do not allow limitations on warranties, or on remedies for breach. In such states, the above limitations may not apply to you.

## FOR CANADIAN APPLICATION ONLY

Exclusion of Subsequent Owners: Except as otherwise required by applicable legislation, this warranty is not transferable. This warranty gives you specific legal rights and you may also have other rights which vary from province to province. Some provinces and territories do not allow limitations on warranties, or on remedies for breach. In such provinces or territories, the above limitations may not apply to you.

This warranty is provided by:

Vollara, LLC  
300 East Valley Drive,  
Bristol, VA 24201

If any provision of this warranty or part thereof is held by a court of competent jurisdiction to be invalid, illegal, or unenforceable, the validity, legality and enforceability of the remaining provisions or parts thereof will not in any way be affected or impaired within the jurisdiction of that court. This entire warranty shall continue to be valid, legal and enforceable in any jurisdiction where a similar determination has not been made.

## SERVICE

---

Every effort is made to ensure customers receive an up-to-date instructions manual on the use of our products; however, from time to time, modifications to our products may without notice make the information contained herein subject to alteration. For the latest information, please visit our web site.

This equipment has been tested and found to comply with the limits for Industrial, Scientific, and Medical Equipment (ISM), pursuant to Part 18 of the FCC Rules. These limits are designed to provide reasonable protection against harmful interference in a residential installation. This equipment generates, uses, and can radiate radio frequency energy, and if not installed and used in accordance with the instructions, may cause harmful interference to radio communications. However, there is no guarantee that interference will not occur in a particular installation. If this equipment does cause harmful interference to radio or television, which can be determined by turning the equipment off and on, the user is encouraged to try to correct the interference by one or more of the following measures:

Reorient or relocate the receiving antenna.

Increase the separation between the equipment and receiver.

Connect the equipment into an outlet on a circuit different from that to which the receiver is connected.

Consult an Independent Contractor for help.

### FCC DECLARATION OF CONFORMITY

**Name:** Vollara, LLC

**Model:** LivingWater


**Manufacturer:** Vollara, LLC

This device complies with Part 18 of the FCC Rules.

### RESPONSIBLE PARTY

Vollara, LLC  
300 East Valley Drive  
Bristol, VA 24201

Ph: 800.989.2299

**Signature:**  \_\_\_\_\_

**Printed Name:** Andrew Eide

**Title:** Vice President of Product Development  
and Manufacturing

**Date:** 06/23/17



For information regarding the use of this product please call Customer Service.

**1-800-989-2299**

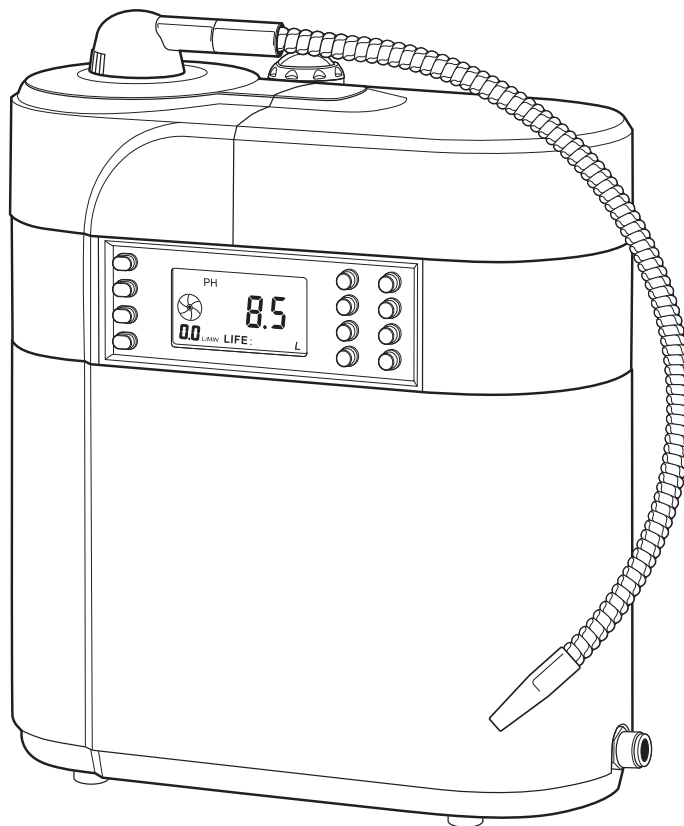
**[www.vollara.com](http://www.vollara.com)**

Vollara, LLC | 300 East Valley Drive | Bristol, VA 24201 | 800.989.2299

© Vollara, LLC. All Rights Reserved

Part No. 65-00621 VA-00927

vollara®  
**LIVING  
WATER®**



## MANUEL D'UTILISATEUR

---

IONISATION ET FILTRATION DE L'EAU ET OPTIMISATION DU pH

---

**ATTENTION : VEUILLEZ CONSULTER LE PRÉSENT MANUEL POUR CONNAÎTRE  
LES PROCÉDURES ET LES UTILISATIONS CORRECTES.**

# VEUILLEZ LIRE LE PRÉSENT MANUEL AVANT TOUTE INSTALLATION

## INFORMATIONS IMPORTANTES LIÉES À LA SÉCURITÉ

- Utilisez uniquement tel que décrit dans le présent manuel. Utilisez uniquement les accessoires recommandés par le fabricant.
- Ne manipulez pas la prise ou l'appareil avec les mains mouillées.
- Débranchez le cordon de la prise avant tout entretien ou remplacement des filtres.
- N'utilisez pas l'appareil si le cordon ou la prise est endommagé.
- Ne débranchez pas en tirant sur le cordon. Pour débrancher, tenez la fiche, pas le cordon.
- N'utilisez pas l'appareil si des fuites sont observées quand l'arrivée eau est ouverte.
- N'essayez pas d'enlever le panneau arrière ou d'accéder aux parties internes de l'ionisateur. Aucun composant ne peut-être remplacé par utilisateur, à l'exception du remplacement du filtre qui est accessible grâce à un couvercle amovible.
- N'exposez pas l'appareil à des conditions environnementales extrêmes.
- Conservez la surface autour de l'ionisateur propre et sèche. Ne laissez jamais l'appareil reposer dans de l'eau.
- Votre nouvel ionisateur est destiné à un usage ménager uniquement. Des dommages importants peuvent résulter d'une mauvaise utilisation de votre appareil.
- N'utilisez pas l'appareil avec de l'eau non traitée, impropre à la consommation.
- Cet appareil peut être utilisé conjointement aux préfiltres de votre robinet d'eau courante. Il n'est pas conçu pour fonctionner avec des systèmes d'osmose inverse et/ou des systèmes d'adoucissement de l'eau.
- Aucune mention médicale n'est fournie par le fabricant ou le distributeur. Consultez toujours votre médecin dès les premiers symptômes de maladie. Le fabricant ou le distributeur n'est pas responsable des effets néfastes pouvant résulter de l'utilisation correcte ou incorrecte de l'eau ionisée.

## VEUILLEZ CONSERVER CES INSTRUCTIONS

### NE BUVEZ PAS :

- De l'eau acide
- De l'eau dont le pH alcalin est élevé (supérieur à 9,5 pH)
- De l'eau évacuée lors du processus de nettoyage automatique.
- De l'eau évacuée lors de la production d'eau alcaline.

### SI L'APPAREIL EST RESTÉ INUTILISÉ PENDANT TROIS (3) JOURS :

Vous devez démarrer la fonction de nettoyage automatique en alimentant d'abord l'ionisateur en eau et en permettant qu'elle s'écoule pendant au moins 40 secondes. Choisissez ensuite une sortie d'eau acide et laissez l'eau s'écouler pendant au moins 2 minutes.

- Utilisez uniquement de l'eau propre du robinet.
- Si vous prenez des médicaments ou souffrez d'un problème médical, veuillez consulter votre médecin avant de consommer de l'eau alcaline.
- Après avoir remplacé un filtre, laissez couler l'eau dans l'appareil pendant trois (3) à cinq (5) minutes.
- Utilisez l'eau ionisée ou filtrée dès que possible.
- Les niveaux de pH doivent être vérifiés après installation.
- N'utilisez pas de récipient en aluminium pour stocker de l'eau alcaline.
- N'utilisez pas de récipient en cuivre pour stocker de l'eau acide.
- N'utilisez pas de récipients en acier inoxydable. L'acier inoxydable réduit rapidement l'ORP de l'eau alcaline.



**ATTENTION :** Cet appareil est conçu pour être utilisé uniquement avec de l'eau dont la température se trouve sous les 35°C. Des dommages peuvent être provoqués par l'exposition des filtres ou des composants internes à de l'eau chaude (température supérieure à 35°C).

# VEUILLEZ LIRE LE PRÉSENT MANUEL AVANT TOUTE INSTALLATION

---

**REMARQUE IMPORTANTE :** Une installation non conforme au manuel d'utilisateur et aux réglementations locales en matière de plomberie peut entraîner des fuites et/ou des dégâts des eaux et annulera la garantie. Nous rejetons expressément toute responsabilité concernant les dégâts causés par des fuites et/ou autres dégâts des eaux.

## MENTIONS

- Aucune mention médicale n'est fournie par le fabricant ou le distributeur, ces derniers n'étant pas responsables des éventuels effets néfastes pouvant résulter de l'utilisation correcte ou incorrecte de l'eau ionisée.
- Vérifiez auprès de votre médecin que vos médicaments prescrits ou votre état de santé ne sera pas affecté par la consommation d'eau alcaline.
- Ne prenez pas de médicaments avec de l'eau alcaline car l'eau ionisée alcaline peut en accroître les effets.
- Ne buvez pas d'eau alcaline si vous souffrez d'achlorhydrie.
- Si vous prenez des médicaments ou souffrez d'un problème médical, veuillez consulter votre médecin avant de consommer de l'eau alcaline
- Consultez votre médecin si vous avez la peau sensible ou des allergies avant d'utiliser de l'eau acide sur votre peau ou vos cheveux.
- La consommation d'eau alcaline dont le pH est trop élevé (supérieur à 9,5 ou dont l'ORP est supérieur à -450) peut entraîner des diarrhées ou d'autres symptômes.
- L'appareil n'est PAS CONÇU POUR fonctionner avec de l'eau non traitée, impropre à la consommation. Si vous n'êtes pas certain de la propreté de votre eau, faites-la contrôler par un laboratoire de contrôle qualifié.
- Le non-respect des instructions d'installation et d'utilisation fournies dans le présent manuel de l'utilisateur, ou toute modification de toute pièce du système peut annuler la garantie. Nous ne sommes pas responsables des dégâts subis par l'appareil ou des blessures corporelles résultant d'une utilisation ou d'une installation incorrecte du système.

## RÉACTIFS DE CONTRÔLE DU PH ET DU CHLORE

- N'exposez pas les réactifs de contrôle du pH et du chlore à des chaleurs extrêmes ou aux flammes. Ils sont inflammables. Conservez-les dans un endroit frais et sec. Conservez les réactifs hermétiquement fermés et hors de portée des enfants.
- Ne buvez pas les réactifs de contrôle du pH et du chlore et évitez tout contact avec les yeux. Ne pas appliquer sur la peau.
  - En cas d'ingestion, ne provoquez pas le vomissement et appelez immédiatement un médecin ou un centre antipoison.
  - En cas de contact avec les yeux, rincez immédiatement avec de l'eau froide. Contactez un médecin.
  - En cas de contact avec la peau, nettoyez immédiatement avec de l'eau froide. Contactez un médecin.

# UTILISATION ET SPÉCIFICATIONS DE LIVING WATER

Le Living Water est un ionisateur d'eau conçu pour être utilisé sur un comptoir ou toute autre surface robuste ayant accès à un approvisionnement en eau FROIDE, d'une évacuation et d'une prise électrique. L'approvisionnement en eau de l'ionisateur d'eau est fixé à un robinet d'évier à l'aide d'une vanne de dérivation de robinet. L'eau alcaline se déverse via le flexible en acier de l'appareil. La conduite d'évacuation de l'eau acide (flexible de 3/8») provenant de l'ionisateur d'eau est placée dans l'évier. Le cordon d'alimentation de l'ionisateur d'eau est branché dans une prise électrique adéquate.

**REMARQUE :** Commencez à boire de l'eau alcaline au fur et à mesure de sa purification. Par exemple, buvez 47 cl d'eau dont le pH est de 8,5 pendant plusieurs jours, et augmentez graduellement la quantité consommée jusqu'à atteindre votre consommation journalière en eau. Augmentez d'un niveau par semaine jusqu'à ce que vous buviez votre quantité journalière d'eau à un niveau de pH de 9,5.

Cette procédure graduelle permet de minimiser les effets déplaisants de la purification, tels que les symptômes de fièvre ou de grippe, les maux de tête, les rougeurs, la diarrhée et/ou les nausées. Vous pourrez remarquer des différences au niveau de vos habitudes digestives durant les premiers jours à chaque niveau de pH passé. Votre fréquence de miction peut augmenter et la couleur peut s'assombrir dans la mesure où davantage d'eau est consommée et votre corps se désintoxique. La couleur diminue lorsque votre corps se stabilise après son nettoyage.

Si les symptômes de désintoxication deviennent gênant, il est recommandé de diminuer le niveau alcalin de l'eau d'un niveau jusqu'à ce que les symptômes disparaissent, puis de passer graduellement à un niveau de pH supérieur.

Nous vous recommandons de boire la moitié de votre poids en ml par jour pour une bonne hydratation. 946 ml pour chaque 13,6 kilos de poids du corps est mieux encore, et vous pouvez augmenter si vous le souhaitez.

## SPÉCIFICATIONS

Tension	100 - 240 VCA / 50~60 Hz
Électrique	2A~6A CC
Électrode	10 cm
Puissance	95W (max), 2A
Dimensions	275 mm de large X 315 mm de haut X 140 mm de profondeur
Sortie ORP de	+500mv à -400mv
Durée de vie du filtre	10.000 litres*
Suppression du chlore du filtre	<0,0001ppm (99,9999%)*
Température de l'eau	De 39°F (4°C) à 95°F (35°C)

**REMARQUE :** Remarque : La suppression du chlore et la durée de vie du filtre seront affectées par les différentes sources d'eau et par l'entretien de l'ionisateur d'eau.

- Le pH et l'ionisation sont meilleurs lorsque le débit d'eau est d'approximativement 2,5 litres par minute tel qu'indiqué sur l'écran.
- Vous pourrez voir de nombreuses petites bulles dans l'eau, elles sont dues au processus d'ionisation.



**AVERTISSEMENT :** Utilisez le réglage "FILTERED (7.0)" [filtré (7,0)] pour prendre vos médicaments, car l'eau alcaline accroît l'effet de nombreux médicaments. Vérifiez auprès de votre médecin si les médicaments qui vous ont été prescrits seront affectés négativement par la consommation d'eau alcaline.

- Ne buvez jamais le sous-produit acide évacué par votre appareil.

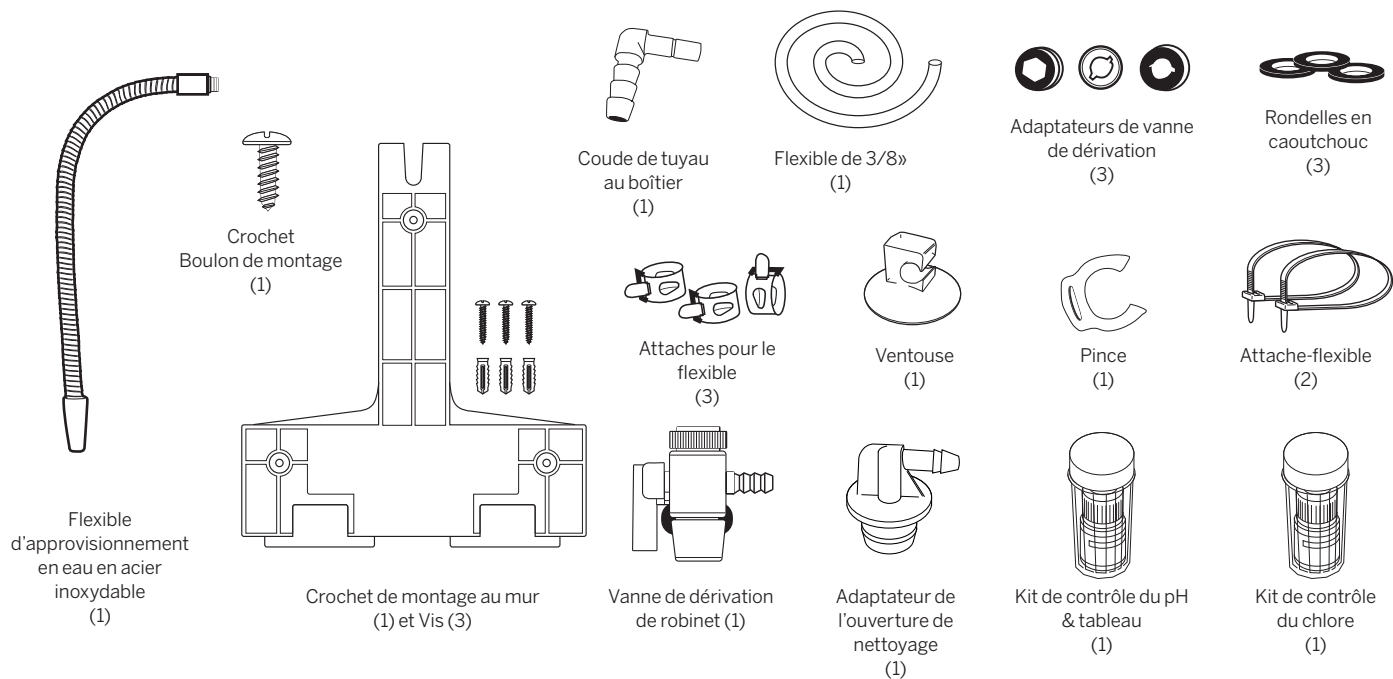
**REMARQUE :** La valeur du pH et le réglage de l'ionisation peuvent varier par rapport à l'eau courante en fonction des propriétés de l'eau d'arrivée.



# CONTENU DU PAQUET

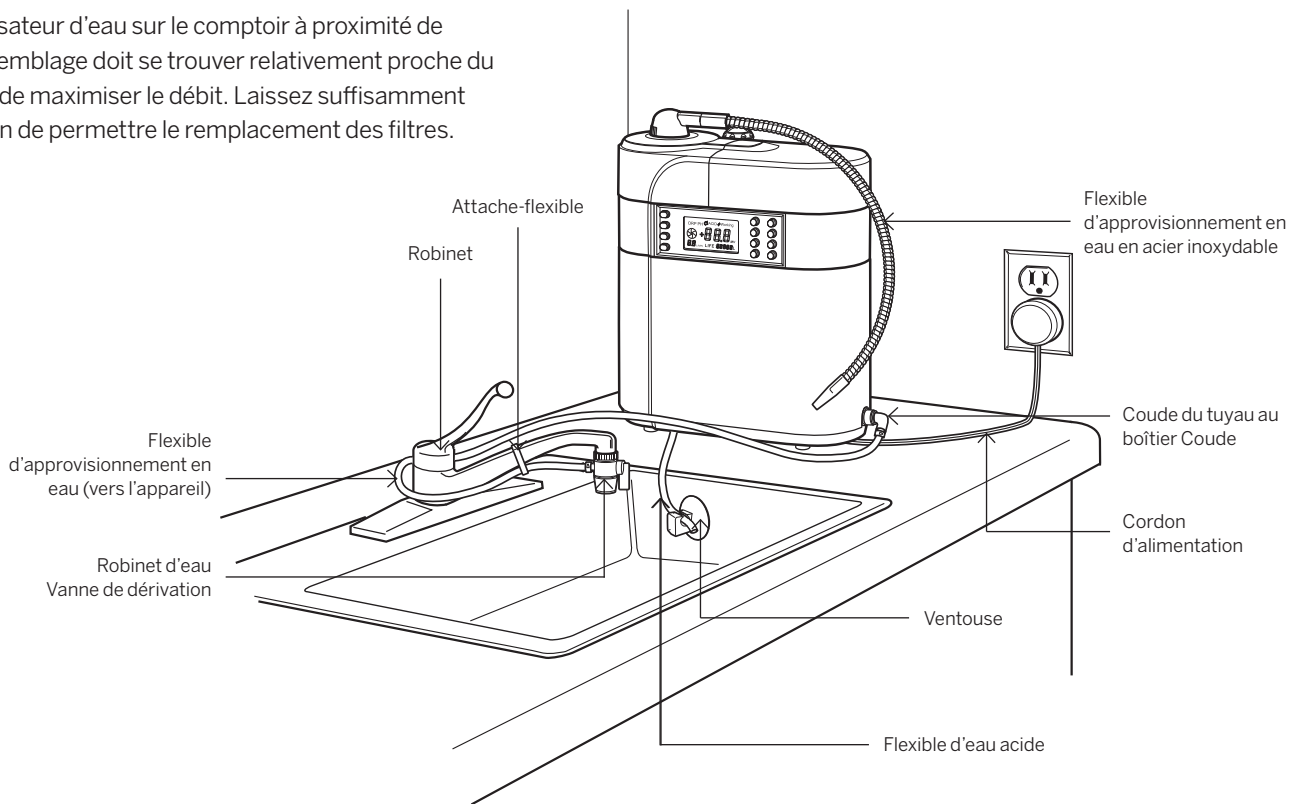
Toutes les pièces nécessaires à une installation classique sont comprises avec votre ionisateur d'eau. D'autres pièces non incluses peuvent être nécessaires en fonction des besoins spécifiques de votre installation.

Déballiez prudemment votre ionisateur d'eau et assurez-vous que toutes les pièces énumérées dans le diagramme soient incluses.



## ILLUSTRATION DE L'ENSEMBLE

Placez l'ionisateur d'eau sur le comptoir à proximité de l'évier. L'assemblage doit se trouver relativement proche du robinet afin de maximiser le débit. Laissez suffisamment d'espace afin de permettre le remplacement des filtres.



## INSTALLATION

---

**REMARQUE IMPORTANTE :** Une installation non conforme au manuel d'utilisateur et aux réglementations locales en matière de plomberie peut entraîner des fuites et/ou des dégâts des eaux et annulera la garantie. Nous rejetons expressément toute responsabilité concernant les dégâts causés par des fuites et/ou autres dégâts des eaux.

- L'ionisateur d'eau **DOIT** être branché à une prise de terre installée conformément aux normes et réglementations locales. Vérifiez auprès d'un électricien si vous n'êtes pas certain que la prise électrique que vous comptez utiliser soit correctement installée. Ne modifiez pas le cordon d'alimentation ni la fiche fournis avec l'ionisateur d'eau et n'utilisez aucun type d'adaptateur. Une prise de terre incorrecte peut entraîner un risque de choc électrique et endommager l'ionisateur d'eau.
- Ne branchez pas l'ionisateur d'eau à une prise électrique pouvant entraîner l'excès d'ampérage sur la prise ou le câblage électrique. Cela peut provoquer un incendie, des blessures corporelles ou endommager l'ionisateur d'eau.
- L'ionisateur d'eau doit être placé dans un endroit sec afin d'éviter tout risque de choc électrique et/ou de dégâts au niveau de l'appareil.
- L'ionisateur d'eau doit être placé sur une surface **PLATE**, dure et à niveau.
- La pression d'eau statique maximale est de 70 psi. L'utilisation de l'ionisateur d'eau au-delà de cette pression risque d'endommager l'appareil. Pour les pressions d'eau supérieures à 70 psi, l'utilisation d'un régulateur de pression peut être nécessaire.
- Raccordez l'ionisateur d'eau **UNIQUEMENT** à une source d'eau **FROIDE. NE FAITES PAS** couler d'eau chaude dans l'appareil. Des dégâts risquent de survenir au niveau des filtres et des composants internes si de l'EAU CHAUDE est envoyée vers l'ionisateur d'eau.
- **NE BUVEZ PAS L'EAU PRODUITE SI L'IONISATEUR D'EAU EST DANS SON CYCLE DE NETTOYAGE.** Le cycle de nettoyage s'active automatiquement toutes les 12 minutes. Cette fonctionnalité empêche les minéraux de s'accumuler sur les électrodes.
- Utilisez le réglage **FILTERED (7.0) [filtré (7,0)]** lors de la prise de médicaments. L'eau alcaline augmente l'effet de nombreux médicaments. • Vérifiez auprès de votre médecin que vos médicaments prescrits ou votre état de santé ne sera pas affecté par la consommation quotidienne d'eau alcaline.

**REMARQUE :** Les informations d'installation fournies peuvent différer en fonction de votre installation particulière. Lisez attentivement le chapitre traitant de l'installation avant de commencer, car des pièces supplémentaires peuvent être nécessaires outre celles incluses. Si vous avez des doutes concernant les pièces nécessaires ou sur la façon d'effectuer les raccordements, il est fortement recommandé de contacter un plombier qualifié.

## QUALITÉ DE L'APPROVISIONNEMENT EN EAU

---

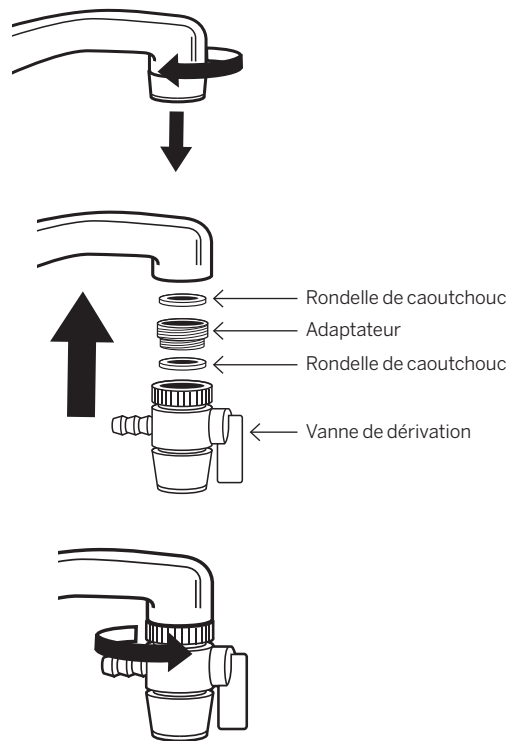
La qualité et le contenu de l'approvisionnement en eau vers l'ionisateur d'eau a un effet direct sur la qualité de l'eau ionisée produite. C'est le cas de TOUS les ionisateurs d'eau. L'eau du robinet fournie par les compagnies municipales des eaux a généralement une valeur de pH située entre 7,1 et 7,5, et une dureté modérée située entre 80 et 140 parts par million (ces taux peuvent être déterminés à l'aide d'un appareil de mesure des matières totales dissoutes (TDS)). Une eau de cette nature engendre généralement une production d'eau

ionisée de haute qualité. L'eau fournie à partir d'autres sources peut varier considérablement en qualité et en contenance. L'eau contenant trop de sédiments (typique de l'eau de puits) requiert généralement un préfiltre à sédiment. Votre revendeur indépendant Vollara peut vous aider à décider si un traitement supplémentaire de l'eau est nécessaire et peut vous suggérer une solution que vous pourrez ensuite commander.

# INSTALLATION

## INSTALLATION DU ROBINET DE DÉRIVATION

1. Enlevez l'aérateur du robinet (placez-le à un endroit où vous pourrez le retrouver si vous avez besoin de le réinstaller ultérieurement sur le robinet). Cette opération est généralement réalisée sans outils, en le faisant pivoter dans le sens inverse des aiguilles d'une montre.
2. Assemblez les rondelles en caoutchouc, l'adaptateur de vanne de dérivation et le robinet de dérivation tel qu'indiqué. Serrez fermement. L'utilisation d'une pince peut être nécessaire pour serrer le vanne de dérivation. Pour éviter tout dommage, enroulez un morceau de tissu autour de la vanne de dérivation ou de l'aérateur avant d'utiliser la pince. Grâce au robinet de dérivation, vous pouvez utiliser votre évier normalement et dévier l'eau vers l'ionisateur quand vous le souhaitez. Veillez à ne pas trop serrer le dérivateur dans la mesure, cela peut provoquer des fuites ou des dommages.



## RACCORDEMENT À L'APPROVISIONNEMENT EN EAU

1. Coupez le tuyau de 3/8" à une longueur permettant d'atteindre facilement le robinet de dérivation et l'ouverture d'arrivée d'eau situé en bas à droite de l'appareil.

**REMARQUE :** Lors de la découpe du tuyau, assurez-vous d'effectuer une découpe droite pour une installation correcte.

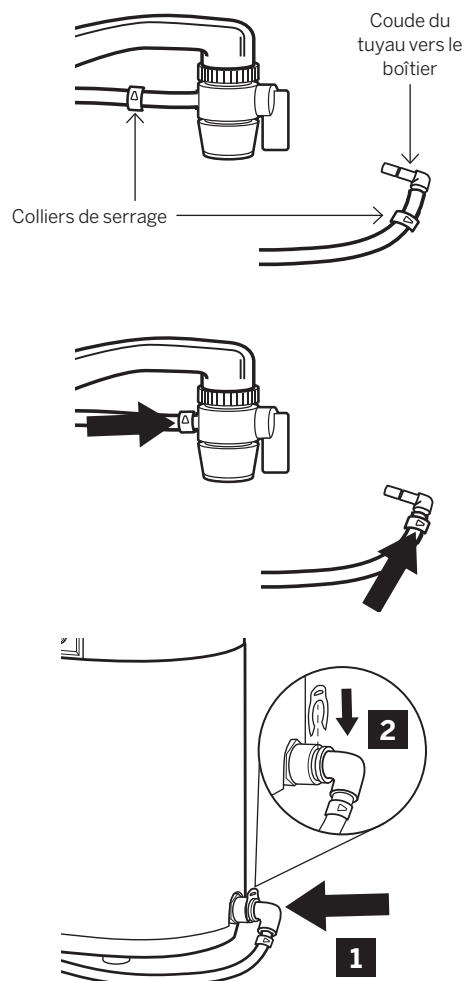


2. Faites glisser un collier de serrage à chaque extrémité du tuyau de 3/8". Attachez l'une des extrémités au raccord cannelé situé sur la vanne de dérivation, et l'autre sur le raccord cannelé du coude reliant le tuyau au boîtier.

**REMARQUE :** Utilisez des pinces afin d'élargir les fixations



3. Faites glisser chaque collier de serrage à environ 1/8" de l'extrémité du tuyau afin de le fixer au raccord cannelé.
4. Insérez le coude du tuyau vers le boîtier **1** dans le port d'arrivée d'eau situé en bas à droite de l'appareil. Installez la fixation **2** après avoir inséré le coude.



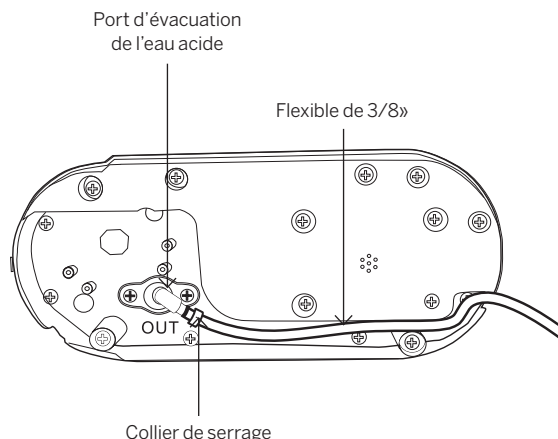
# INSTALLATION

## RACCORDER LA CONDUITE D'ÉVACUATION

1. Découpez une longueur de tuyau suffisante pour relier votre évier à l'évacuation d'eau acide située au bas de l'appareil. Laissez du jeu afin de permettre la récupération de l'eau acide pour un usage externe ou pour les plantes.

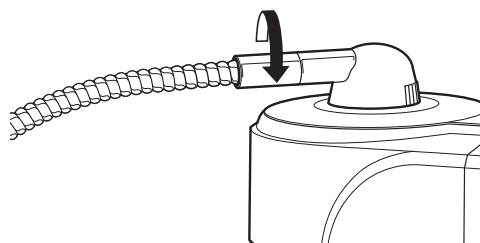
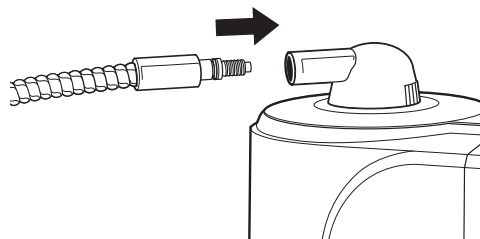


2. Faites glisser le collier de serrage sur l'une des extrémité du tuyau de 3/8" et attachez ensuite le tuyau au connecteur de l'évacuation d'eau acide. Fixez le flexible à l'aide du collier. Consultez l'illustration pour un acheminement correct du flexible.



## INSTALLER LE FLEXIBLE D'APPROVISIONNEMENT EN EAU EN ACIER INOXYDABLE

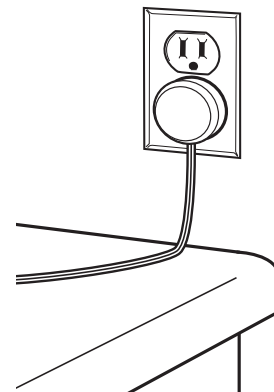
1. Insérez l'extrémité mâle du flexible en acier inoxydable dans la prise femelle située au sommet de l'ionisateur d'eau.
2. Serrez fermement à la main. Afin d'éviter d'endommager votre appareil, N'utilisez **PAS** de pince ou d'outil similaire pour le serrage.



## RACCORDEMENT ÉLECTRIQUE

1. Branchez le cordon d'alimentation de votre appareil à une prise de terre adéquate.

**REMARQUE :** Après l'installation, il convient de laisser s'écouler l'eau pendant 3 à 5 minutes sur le réglage "**FILTERED (7.0)**" [**filtré (7,0)**] afin de nettoyer tout résidu de particules de carbone au niveau du filtre. L'eau peut sembler plus sombre au début, mais cette coloration disparaît au fur et à mesure que l'eau s'écoule.

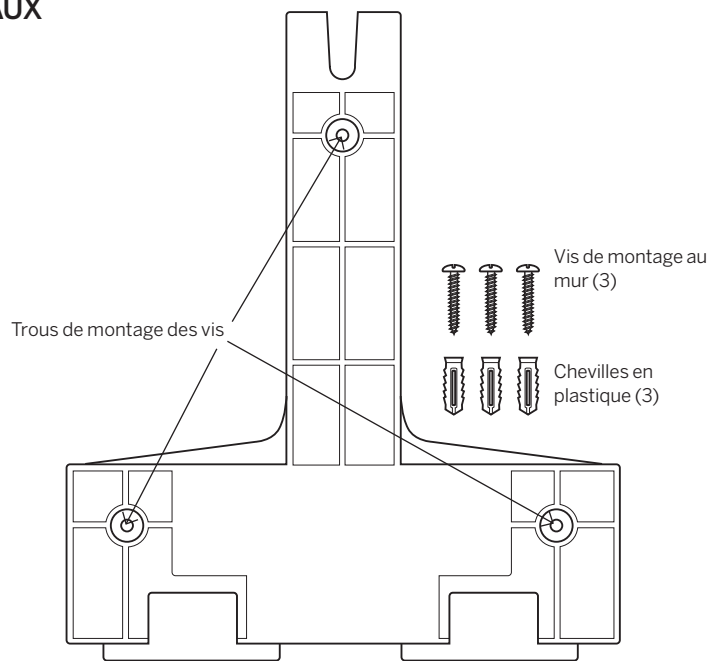


# MONTAGE MURAL OPTIONNEL

## INSTALLATION MURALE À L'AIDE DE CROCHET MURAUX

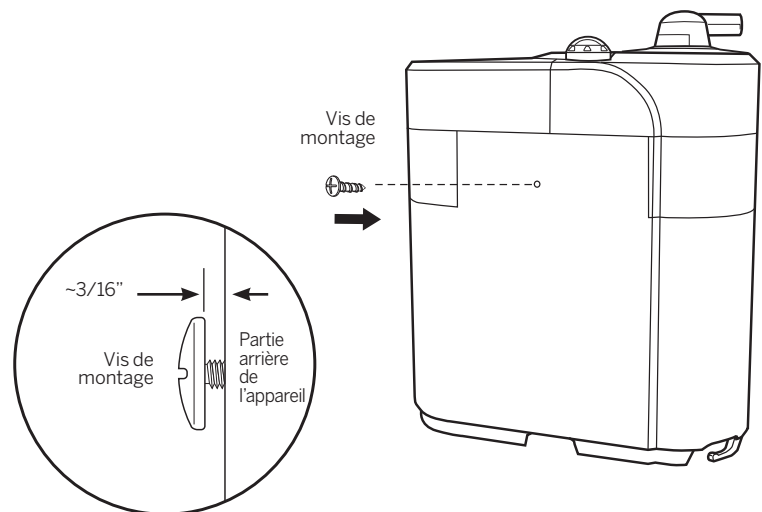
1. Sélectionnez un emplacement adapté sur le mur afin d'y fixer l'appareil. Laissez suffisamment d'espace par-dessus pour permettre d'y accrocher l'appareil.

2. Le crochet mural peut être utilisé comme modèle pour marquer les emplacements des vis et des chevilles (le cas échéant).



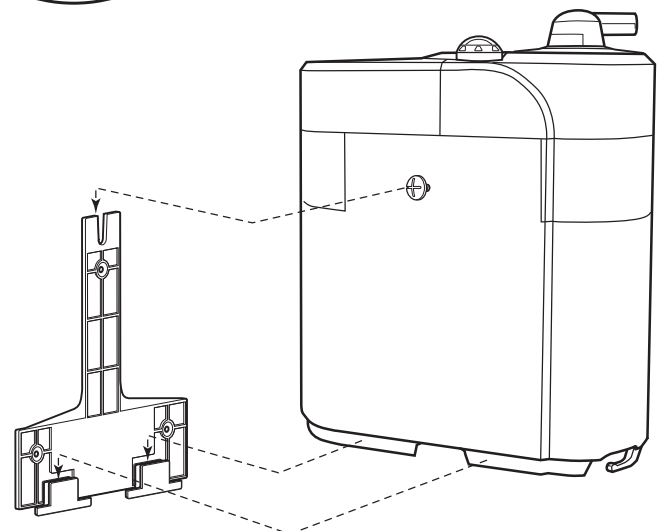
3. Forez des trous et installez les chevilles selon les besoins.

4. Fixez le crochet mural à l'aide des vis fournies.



5. Installez les écrous de montage à l'arrière de l'appareil. Serrez de manière à laisser un espace d'approximativement 3/16" entre la tête de vis de montage et l'arrière de l'appareil.

6. Fixez l'appareil sur les crochets muraux.

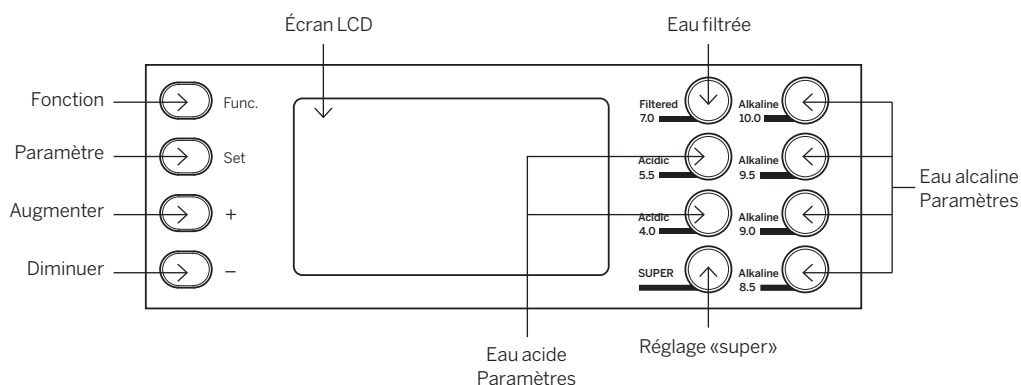


# FONCTIONNEMENT

## PANNEAU DE CONTRÔLE



**AVERTISSEMENT :** Placez les réglages sur "Cln" uniquement APRÈS avoir remplacé les filtres.



Vous pouvez modifier les valeurs du **pH** sur **4,0 ; 5,5 ; 8,5 ; 9,0 ; 9,5 et 10,0**. Vous pouvez modifier **les valeurs ORP** sur **4,0 ; 5,5 ; 8,5 et 10,0**. Aucune modification des paramètres **FILTERED** et **SUPER** ne peut être effectuée.

La valeur ORP affichée sur l'écran LCD peut ne pas représenter la sortie ORP. Les résultats dépendent de l'origine de l'eau et des variables internes.

Fonction (FUNC.) . . . . . Lorsque l'eau n'arrive plus vers l'appareil, le bouton de fonction bascule entre pH, ORP et les fonctions de nettoyage.

Paramétrage (SET) . . . . . Sélectionnez et enfoncez le bouton de réglage sur la valeur de pH et d'ORP pour l'eau produite.

Augmenter (+) . . . . . Appuyez sur le bouton pour augmenter le pH et le niveau ORP dans les fonctions sélectionnées.

Diminuer (-) . . . . . Appuyez sur le bouton pour diminuer le pH et le niveau ORP dans les fonctions sélectionnées.

## CARACTÉRISTIQUES DE CHAQUE PARAMÈTRE D'EAU

Filtered 7.0 [filtré 7,0] . . . . . Cette eau est recommandée si vous prenez des médicaments ou pour préparer de la nourriture pour bébés.

Acidic 5.5 [acide 5,5]. . . . . Cette eau est astringente. Elle est impropre à la consommation.

Acidic 4.0 [acide 4,0] . . . . . Cette eau est astringente. Elle est impropre à la consommation.

SUPER \* . . . . . Un niveau de pH à 2,0+ est possible (eau super acide) à l'aide de l'option d'ajout de sel présentée à la page 13. Cette eau est astringente. Elle est impropre à la consommation.

Alkaline 10.0 \* [alcalin 10,0] . . . . L'eau hautement alcaline est excellente pour le nettoyage. Un pH de 11,0+ peut être obtenu à l'aide du port d'ajout de sel.

Alkaline 9.5 \* [alcaline 9,5] . . . . Buvez l'eau de ce niveau lorsque vous vous serez adapté au niveau "Alkaline 9.0" [alcalin 9,0], en augmentant graduellement votre consommation. C'est le réglage idéal lorsque le corps s'est adapté à l'eau alcaline. Lors de la quatrième semaine et ultérieurement, utilisez cette eau pour boire, cuisiner, préparer le café et le thé.

Alkaline 9.0 \* [alcalin 9,0] . . . . Buvez l'eau de ce niveau lorsque vous vous serez adapté au niveau "Alkaline 8.5" [alcalin 9,0], en augmentant graduellement votre consommation.

Alkaline 8.5 \* [alcalin 8,5] . . . . Il s'agit du NIVEAU DE DÉPART. Commencez à boire de l'eau ayant ce niveau lors de la première semaine, en augmentant graduellement votre consommation.

\*La capacité à produire un pH élevé dépend de l'approvisionnement en eau.

# ÉCRAN LCD

ORP / PH Levels [niveaux ORP / PH] . . . . Indique lorsque l'écran affiche le niveau ORP ou pH de l'eau produite. Appuyer sur FUNC permet de modifier les informations affichées.

**REMARQUE :** l'eau n'est pas prête à être utilisée lorsque le message **WORKING** [en marche] clignote.

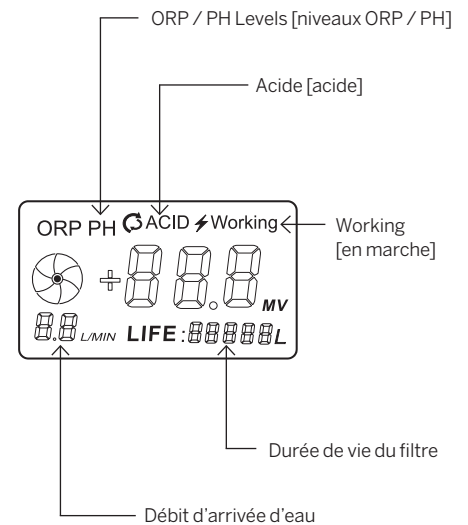
ORP / PH Levels [niveaux ORP / PH] . . . . Indique lorsque l'écran affiche le niveau ORP ou pH de l'eau produite. Appuyer sur FUNC permet de modifier les informations affichées.

Working [en marche] . . . . . Lorsque l'arrivée d'eau atteint les 1,2 litres / minute, l'ionisation commence et le message Working [en marche] clignote sur l'écran LCD jusqu'à ce que le niveau de pH soit atteint.

Durée de vie du filtre . . . . . La durée de vie normale d'un filtre est de 10.000 litres, en fonction de la qualité de l'eau. Remplacez le filtre lorsque l'écran indique 10.000 L ou une fois par an, en fonction de ce qui se produit en premier.

Débit d'arrivée d'eau . . . . . Pour une meilleure qualité d'eau, réglez le débit d'arrivée d'eau sur 2,5 - 3,0 litres/minute.

Mode d'économie d'énergie . . . . . L'écran LCD s'éteint automatiquement après 20 secondes de non-utilisation.



## NETTOYAGE AUTOMATIQUE DE L'ÉLECTRODE

### NOTIFICATION DE NETTOYAGE AUTOMATIQUE

Afin de nettoyer l'électrode interne et de maintenir le fonctionnement correct, votre ionisateur d'eau démarre un processus de nettoyage automatique toutes 12 minutes d'utilisation. Avant que ne débute le cycle de nettoyage automatique, l'écran LCD de l'appareil clignotera pour signaler que le nettoyage automatique est prêt à débiter.

### AFFICHAGE DE PROBLÈME

L'excès de dépôt de calcium issu de l'eau «dure» peut s'accumuler sur les électrodes de l'appareil. Lorsque cela survient, le message **Working** [en marche] clignote sur l'écran LCD et l'appareil s'ajuste automatiquement sur un niveau inférieur. Par exemple, lorsque alcalin 9,5 est sélectionné, l'appareil affiche 9,0 sur l'écran LCD. **Le cycle de nettoyage automatique permet de résoudre ce problème dans la majorité des cas.**



### LE CYCLE DE NETTOYAGE AUTOMATIQUE

Le nettoyage automatique permet de supprimer les résidus de calcaire et de nettoyer les électrodes internes. Après 12 minutes d'utilisation, une notification de nettoyage automatique (LCD clignotant) apparaît, suivi du cycle de nettoyage automatique. Notez que le cycle de nettoyage automatique ne commence pas avant que de l'eau ne s'écoule au travers de l'appareil. Lors que le cycle de nettoyage automatique de 40 à 60 secondes commence, l'appareil émet un signal sonore et l'écran clignote. **NE BUVEZ PAS L'EAU ACIDE** produite par la fonction de nettoyage automatique.

L'appareil arrêtera d'émettre un signal sonore et l'écran LCD clignote lorsque le cycle de nettoyage automatique est terminé.

**REMARQUE IMPORTANTE :** Si vous utilisez l'ionisateur et qu'il arrive au stade du nettoyage automatique, l'appareil passe "automatiquement" au réglage de filtrage de l'eau (7,0), en désactivant le processus d'ionisation jusqu'à ce que le nettoyage automatique soit effectué.

**REMARQUE :** L'écran LCD clignote en rouge durant le mode de nettoyage automatique.

## REEMPLACEMENT DU FILTRE

**REMARQUE :** Il est conseillé de laisser les anciens filtres dans l'appareil lors du nettoyage automatique de l'électrode. Une fois le nettoyage terminé, vous pouvez remplacer les filtres.

**REMARQUE :** De l'eau s'écoule depuis le bas de l'appareil lorsque les anciens filtres sont enlevés. Cela est normal. Avant d'installer le(s) nouveau(x) filtre(s), secouez légèrement l'appareil afin d'en extraire l'eau résiduelle. La base de l'appareil est dotée de trous d'évacuation afin de faciliter cette extraction.

Il vous faut remplacer les filtres et nettoyer l'unité lorsque l'une de ces situations se produit :

- Lorsque l'écran LCD indique 10.000L
- Tous les ans, même si l'écran indique une valeur inférieure à 10.000L
- Si l'eau produite génère une odeur suspecte
- Si le débit de sortie est réduit de façon significative

**REMARQUE :** une pression faible et/ou une turbidité (trouble ou visqueuse) de l'eau réduira la durée de vie du filtre.

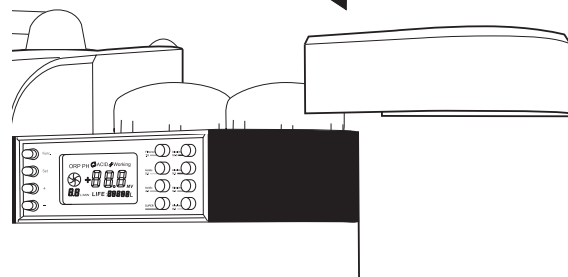
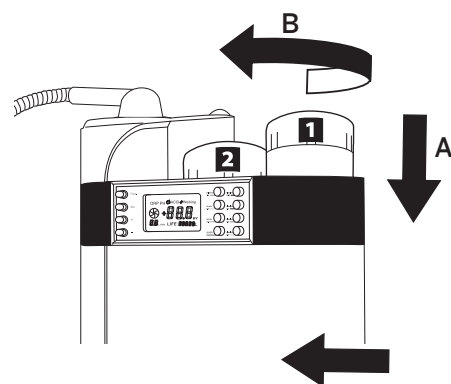
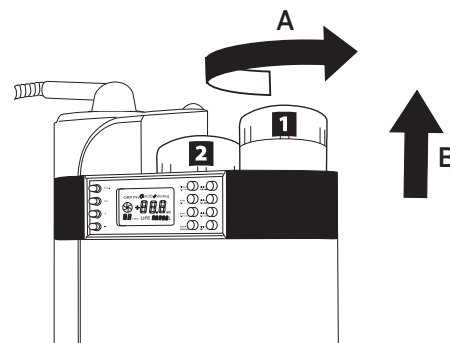
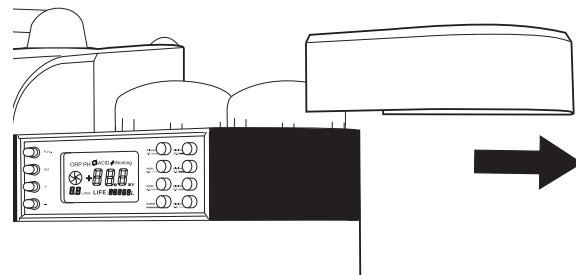
1. Enlevez le couvercle du filtre en le faisant glisser vers la droite.
2. Enlevez les anciens filtres en les faisant pivoter dans le sens contraire des aiguilles d'une montre (A) et en les soulevant hors de l'appareil (B).
3. Installez les nouveaux filtres en les réinsérant (A) et en les faisant pivoter dans le sens des aiguilles d'une montre (B). Remarque : l'étiquette du filtre à charbon est marquée d'un "1" et l'étiquette du filtre à calcaire est marquée d'un "2".
4. Remettez le couvercle des filtres en place.

### APRÈS AVOIR REMPLACÉ LES FILTRES :

1. Appuyez sur **FUNCTION**
2. Le message "CLN" s'affiche à l'écran.
3. Appuyez sur **"SET"** [configurer]
4. Appuyez sur **"-"**
5. Vous entendrez un signal sonore.
6. La durée de vie du filtre a été réinitialisée



**ATTENTION :** Avant d'utiliser l'appareil avec de nouveaux filtres, laissez l'eau s'écouler via l'ionisateur d'eau pendant 3 à 5 minutes avec l'appareil éteint (position "OFF"). Cela permettra de nettoyer les particules fines se trouvant dans les cartouches des filtres. s.





## EAU «SUPER» ACIDE / PORT D'AJOUT DE SEL

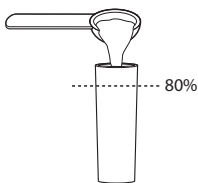
**ATTENTION :** L'eau super acide est destinée à l'usage externe uniquement. **NE CONSOMMEZ PAS** l'eau acide provenant de votre ionisateur d'eau.

Un pH de 2,0+ peut être obtenu (eau super acide) à l'aide de l'option de l'ajout de sel. Cette eau est astringente.

1. Enlevez le couvercle de l'ouverture d'ajout de sel en le faisant pivoter dans le sens contraire des aiguilles d'une montre

2. Enlevez le tube de sel de l'appareil.

3. Remplissez le tube de sel à 80% avec du sel de cuisine (préférer le sel marin) - cela produira environ 946 ml d'eau super acide.



**REMARQUE :** Ne le remplissez pas au-delà du trou car le tube pourrait se boucher

4. Insérez à nouveau le tube de sel en veillant à aligner la clé située à l'extérieur du tube avec l'encoche située sur l'appareil. **NE FORCEZ PAS** sur le tube. Le tube de sel doit être complètement inséré avant que le couvercle ne soit remis en place.

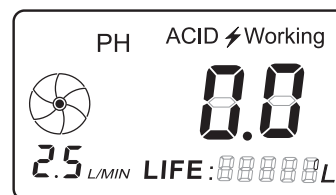
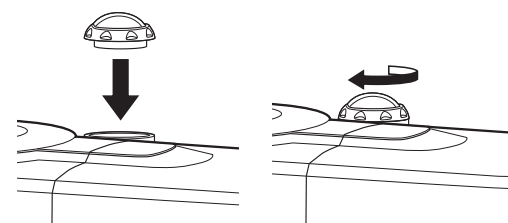
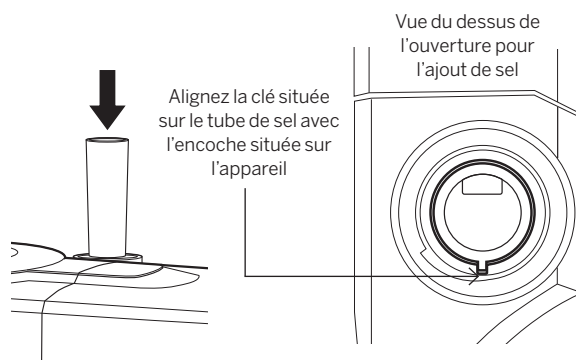
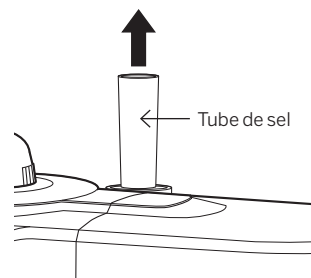
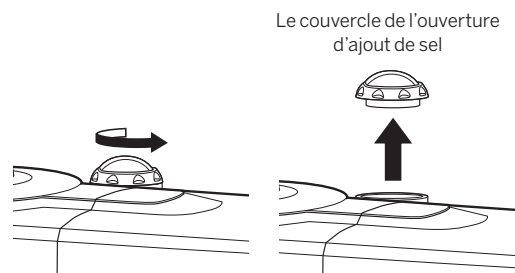
5. Remettez le couvercle de l'ouverture d'ajout de sel. Serrez légèrement à la main dans le sens des aiguilles d'une montre.

**ATTENTION :** N'utilisez jamais l'appareil si le couvercle d'ouverture d'ajout de sel n'est pas correctement installé.

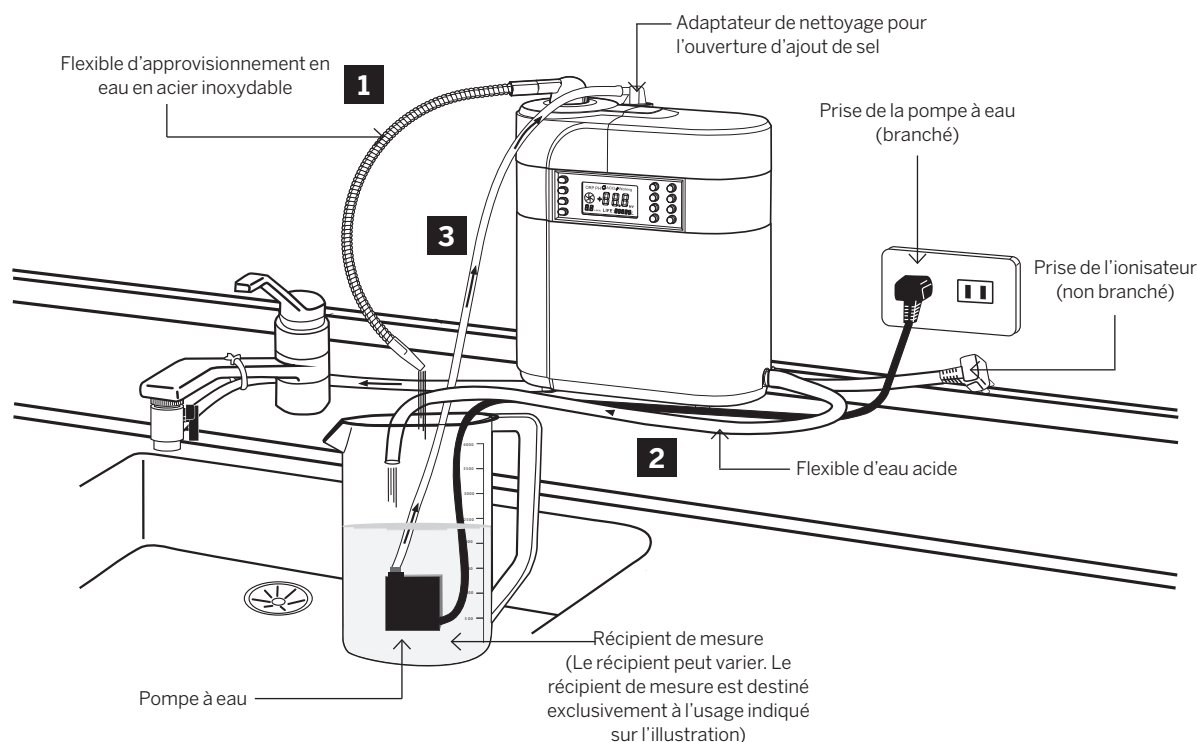
6. Activez l'approvisionnement en eau vers l'appareil en contrôlant le débit. Réglez le débit jusqu'à obtenir un affichage de 2,5 - 3,0 litres / min.

7. Appuyez sur le bouton «SUPER ACIDIC» [super acide] afin de paramétrer l'appareil pour qu'il produise de l'eau «super» acide.

**ATTENTION :** Enlevez tout résidu de sel du tube de sel après avoir produit de l'eau super acide



# NETTOYAGE DE L'ÉLECTRODE À L'ACIDE CITRIQUE



**REMARQUE :** Le flexible d'approvisionnement en eau en acier inoxydable **1** et le flexible d'eau acide **2** doivent être réglés de manière à recycler la solution de nettoyage vers et depuis le récipient de mesure.

Le nettoyage de l'électrode à l'acide citrique doit être effectué au moins une fois par an pour maintenir l'appareil dans un état de fonctionnement optimal. Les niveaux de matières totales dissoutes plus importants au niveau de l'eau d'approvisionnement peuvent nécessiter des nettoyages plus fréquents.

La pompe à eau et le kit de nettoyage à l'acide citrique peuvent être achetés séparément. Contactez votre revendeur indépendant pour plus d'informations.

**REMARQUE :** Lors du nettoyage de l'électrode à l'acide citrique, l'appareil ne requiert aucune alimentation électrique. Déconnectez le courant en débranchant l'appareil avant de débiter la procédure de nettoyage.

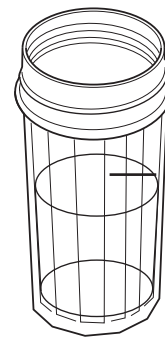
**REMARQUE :** Il est conseillé de laisser les anciens filtres dans l'appareil lors du nettoyage automatique de l'électrode. Une fois le nettoyage terminé, vous pouvez remplacer les filtres.

1. Versez 2,8 L d'eau du robinet dans un récipient de 3,78 L.
2. Mélangez un paquet de poudre d'acide citrique avec l'eau contenue dans le récipient. Assurez-vous que la poudre soit complètement dissoute avant de continuer.
3. Fixez le raccordement du flexible **3** à la pompe et baissez doucement la pompe dans le récipient de solution à l'acide citrique, fixez ensuite le tube à l'adaptateur de nettoyage de l'ouverture d'ajout du sel
4. Attachez l'adaptateur de nettoyage de l'ouverture d'ajout du sel à cette dernière.
5. Placez le flexible d'approvisionnement en eau en acier inoxydable et le flexible d'eau acide à l'intérieur du récipient.
6. Branchez la pompe pour démarrer le cycle de nettoyage. Laissez la pompe fonctionner pendant 40 à 60 minutes.
7. Une fois que le cycle de nettoyage ait terminé, placez le tube de drainage et le flexible en acier inoxydable dans l'évier. Laissez l'appareil fonctionner sur le réglage d'eau filtrée pendant 10 minutes afin d'évacuer l'acide citrique restant dans l'appareil.

# CONTRÔLE DU PH

## CONTRÔLER LE PH DE VOTRE EAU IONISÉE

1. Allumez votre ionisateur d'eau et laissez-le fonctionner pendant environ 10 secondes jusqu'à ce que le message "Working" [en marche] arrête de clignoter sur l'écran LCD.
2. Remplissez la fiole de plastique incluse à la moitié avec de l'eau ionisée.
3. Ajoutez deux (2) gouttes de liquide de contrôle du pH à l'eau contenue dans la fiole.
4. Comparez la couleur de l'eau avec le tableau des couleurs de pH afin de déterminer le niveau de pH de votre eau



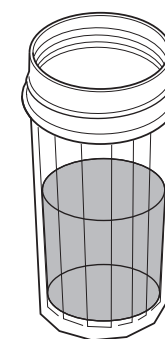
1/2 fiole  
eau ionisée



2 gouttes de  
liquide de contrôle

**REMARQUE :** Les contrôles du pH et du chlore sont des approximations. Des appareils de mesure numériques sont nécessaires pour une mesure exacte.

Vous pouvez également contrôler le taux de chlore contenu dans votre eau à l'aide du kit de contrôle du chlore et de la même procédure. Le résultat du contrôle du chlore devrait être jaune pour l'eau du robinet et incolore pour l'eau ionisée.



### ATTENTION :

- Gardez les kits de contrôle hors de portée des enfants
- N'exposez pas les réactifs de contrôle du pH et du chlore à des chaleurs extrêmes ou aux flammes. Ils sont combustibles. Conservez-les dans un endroit frais et sec. Conservez les réactifs hermétiquement fermés et hors de portée des enfants.
- Ne buvez pas les réactifs de contrôle du pH et du chlore et évitez tout contact avec les yeux. Ne pas appliquer sur la peau.
  - En cas d'ingestion, ne provoquez pas le vomissement, appelez immédiatement un médecin ou un centre antipoison.
  - en cas de contact avec les yeux, rincez immédiatement avec de l'eau froide. Contactez un médecin.
  - en cas de contact avec la peau, nettoyez immédiatement avec de l'eau froide. Contactez un médecin.
- les niveaux de pH doivent être vérifiés après installation.
- Vérifiez le niveau de pH et entretenez votre appareil régulièrement.

# DÉPANNAGE

Symptôme	Cause possible	Solution possible
Le débit d'eau a diminué. La quantité d'eau s'écoulant de l'appareil diminue de plus en plus	Filtre(s) obstrué(s)	Remplacez le(s) filtre(s)
	Fuite de la conduite d'approvisionnement en eau	Vérifiez les conduites afin de vous assurer qu'elles ne soient ni tordues ni vrillées
	Le flexible d'approvisionnement en eau en acier inoxydable peut être tordu	Dépliez ou remplacez le flexible
	Le robinet d'arrivée (vanne de dérivation) n'est pas complètement ouverte	Assurez-vous que le robinet d'arrivée soit complètement ouvert
Présence de mauvaises odeurs	Le filtre est périmé	Remplacez le(s) filtre(s)
	Quantité excessive de soufre dans l'eau	Utilisez un préfiltre pour le soufre
L'eau a un goût de chlore	Le filtre doit être remplacé	Remplacez le(s) filtre(s)
	L'eau d'approvisionnement contient une teneur en chlore élevée	Un préfiltre supplémentaire peut être nécessaire - contactez votre revendeur indépendant
Des matières solides sont présentes dans l'eau	Dépôts minéraux	Laissez l'ionisateur d'eau effectuer un cycle de nettoyage automatique
Après avoir remplacé les filtres, la jauge "FILTER LIFE" [durée du filtre] sur l'écran LCD reste vide	La durée de vie du filtre n'a pas été réinitialisée	Réinitialisez la durée de vie du filtre (voir <b>REPLACER LES FILTRES</b> )
L'écran LCD ne reçoit pas de courant	L'appareil n'est pas branché	Branchez l'appareil à une prise de courant
	La prise électrique peut être désactivée	Contrôlez la prise électrique ou appelez votre électricien
	Le mode d'économie d'énergie désactive l'écran LCD après 20 secondes d'inactivité	Ouvrez le robinet et l'appareil démarrera à nouveau
Fuite d'eau	Les raccords ne sont pas installés correctement	Fixez les flexibles et les raccords à l'appareil
	Joints toriques endommagés	Remplacez tous les joints toriques et remplacez-les si nécessaire
De l'eau s'écoule du devant de l'appareil	Le(s) filtre(s) ne sont pas fixés correctement	Repositionnez le(s) filtre(s)
De l'eau s'accumule sous l'appareil	La conduite d'arrivée ou d'évacuation n'est pas correctement installée.	Fixez la conduite d'arrivée ou d'évacuation
Le contrôle du pH indique des résultats acides lorsque l'appareil est réglé sur eau alcaline	L'eau a été contrôlée trop tôt après le cycle de nettoyage	Laissez l'eau s'écouler pendant 30 secondes avant de contrôler de nouveau le pH

## FOIRE AUX QUESTIONS

---

**Q : Quelle est la poudre blanche qui reste collée à un récipient ou dans la bouilloire ?**

R : Des minéraux alcalins comprenant du calcium, du magnésium, du sodium, du potassium, du fer et du manganèse apparaissent après l'ébullition d'une eau alcaline. Ce résidu minéral se présente sous la forme d'une poudre blanche et ne représente aucun risque à la consommation.

**Q : Quel type d'eau convient-il d'utiliser ?**

R : Seule l'eau potable doit être utilisée avec cet ionisateur d'eau.

**Q : Dois-je débrancher l'appareil si je ne l'utilise pas pendant plus d'une semaine ?**

R : Oui. Veuillez enlever les filtres de l'appareil, videz l'eau qu'ils contiennent, rangez-les dans un sac en plastique propre et placez-les dans le réfrigérateur (ET NON dans le congélateur). Débranchez l'appareil. Dès que vous avez besoin d'utiliser votre ionisateur d'eau, installez les filtres et laissez fonctionner l'appareil pendant environ trois (3) minutes avant de boire.

**Q : Pourquoi y a-t-il de petites bulles dans l'eau ionisée ?**

R : L'eau se mélange à l'air au cours du processus d'ionisation.

**Q : Pourquoi est-il risqué de prendre des médicaments avec l'eau ionisée ?**

R : Car l'eau facilite l'absorption du médicament par le corps. Un comprimé de 50 mg affecte votre corps comme s'il s'agissait d'un comprimé de 100 mg.

**Q : Un bébé peut-il boire de l'eau alcaline ?**

R : Non, un bébé devrait boire de l'eau normalement filtrée ou d'un pH de 7,0.

**Q : Quel est l'usage de l'eau acide ?**

R : L'eau acide est utile pour le nettoyage et les soins de la peau. Utilisez l'eau acide pour des applications externes uniquement.

**Q : Pour qui la consommation d'eau ionisée est-elle recommandée ?**

R : Tout le monde : jeune, moins jeune, humain ou animal. L'effet alcalin sera bénéfique à un certain degré pour presque tout le monde et pour tout ce qui les touche.

## DES PROBLÈMES D'INSTALLATION?

---

Si vous rencontrez des problèmes lors de l'installation, consultez le manuel et regardez la vidéo d'installation pour vous assurer d'avoir installé l'appareil correctement. Contactez le service à la clientèle au 800.989.2299 pour de plus amples informations.

# GARANTIE LIMITÉE DE (5) ANS

Il n'est pas recommandé au client de remballer et d'expédier l'appareil Living Water® en raison de risques de dommages irréparables. Afin d'obtenir le service de garantie, veuillez contacter votre revendeur indépendant pour obtenir l'adresse du centre de service le plus proche ou appelez le service à la clientèle au 800.989.2299.

## QUE COUVRE CETTE GARANTIE ?

Nous garantissons à l'acheteur original, en regard des conditions ci-dessous, le Living Water® (à l'exception des filtres) contre tout défaut de fabrication ou de pièces, à condition que le(s) produit(s) soi(en)t retourné(s) à un centre de service agréé dans les cinq (5) ans suivants la date d'achat.

Nos produits sont autorisés à la vente par le biais des revendeurs indépendants uniquement. Toutes les garanties sont annulées en cas d'achat via des canaux non autorisés. Nous n'effectuerons pas d'extension de garantie pour tout produit vendu d'une manière contraire à nos politiques et prescriptions en matière de publicité sur internet. Cela comprend les sites internet non autorisés à utiliser nos noms, images et logos déposés, ainsi que les sites de vente aux enchères sur internet. Ces sites internet incluent ebay® et Craigslist®. Si le produit ne possède pas un numéro de série valide, la garantie sera annulée. Pour confirmer la couverture de garantie avant d'acheter un produit, veuillez nous contacter au 800.989.2299 avec le numéro de série situé à l'arrière de l'appareil.

## CONDITIONS D'INSTALLATION ET D'ENTRETIEN

Cette garantie dépend expressément des conditions d'installation et d'entretien suivantes : (i) le Living Water® doit être installé conformément au manuel d'utilisateur ; (ii) tous les filtres doivent être remplacés aux intervalles indiqués dans le manuel d'utilisateur (une preuve du remplacement de filtre peut être exigée) ; (iii) le système doit être nettoyé annuellement à l'aide d'un kit de nettoyage à l'acide citrique ; et (iv) le Living Water® doit être utilisé et entretenu conformément au manuel d'utilisateur. Le non-respect de l'une de ces conditions entraînera l'annulation de la présente garantie. L'entretien de votre Living Water® par des personnes autres que nos représentants agréés et/ou l'utilisation de pièces autres que les pièces originales entraîneront l'annulation de la présente garantie.

## COMMENT OBTENIR UN SERVICE DE GARANTIE

Le client doit contacter l'entreprise ou son revendeur indépendant agréé et fournir une preuve d'achat dans les délais indiqués ci-dessus. Nous réparerons ou remplacerons et renverrons le produit, sans frais et dans un délai raisonnable, conformément aux conditions indiquées dans les paragraphes ci-dessus, si son examen démontre un défaut de fabrication ou de pièces. Si nous sommes dans l'impossibilité, à notre discrétion, de réparer le produit après un nombre raisonnable de tentatives, nous effectuerons, à notre convenance, un remboursement égal au prix d'achat ou un remplacement de l'appareil.

## Qu'est-ce qui n'est pas couvert par cette garantie ?

Ce produit est uniquement destiné à un usage domestique à partir des systèmes municipaux d'approvisionnement en eau. L'usure ordinaire ne sera pas considérée comme un défaut de fabrication ou de pièces. Ces garanties ne s'appliquent pas aux filtres ni à toute perte ou dommage causé par un accident, un incendie, un abus, une mauvaise utilisation, une fuite, une installation incorrecte, une modification, une application

incorrecte, une utilisation commerciale ou par la moindre réparation effectuée en-dehors de notre centre de service agréé. La présente garantie ne couvre aucun dégât des eaux.

## EXCLUSION D'AUTRES GARANTIES ET CONDITIONS

À L'EXCEPTION DE CELLE FOURNIE ICI, NOUS NE FOURNISSONS AUCUNE DÉCLARATION NI GARANTIE D'AUCUNE SORTE. TOUTE AUTRE GARANTIE, EXPRESSE OU IMPLICITE, EST EXPRESSÉMENT DÉNONCÉE, CELA INCLUT TOUTE GARANTIE IMPLICITE DE COMMERCIALISATION OU D'ADÉQUATION À UNE UTILISATION PARTICULIÈRE.

## LIMITATION DES RESPONSABILITÉS POUR LES DOMMAGES SPÉCIAUX, INDIRECTS OU DIRECTS

NOUS NE SERONS EN AUCUN CAS TENUS POUR RESPONSABLES DES DOMMAGES SPÉCIAUX, DIRECTS OU INDIRECTS RÉSULTANT DU NON-RESPECT DES GARANTIES EXPRESSES OU IMPLICITES, DES CONDITIONS OU DES DÉCLARATIONS, D'UNE RUPTURE DE CONTRAT, D'UNE NÉGLIGENCE OU POUR TOUT AUTRE MOTIF JURIDIQUE. Les dommages exclus comprennent, sans s'y limiter, la perte de profits ou de revenus, la perte d'usage des produits et toute perte causée par des fuites ou autre dégât dû à l'eau.

## POUR LES DEMANDES ISSUES DES ÉTATS-UNIS UNIQUEMENT.

Cette garantie vous donne des droits juridiques spécifiques ; vous pouvez également bénéficier de droits supplémentaires propres à chaque État. Certains États ne permettent pas les limitations de garantie ou de recours suite à une rupture. Dans ces États, les limitations indiquées ci-dessus peuvent ne pas s'appliquer à votre cas.

## POUR LES DEMANDES ISSUES DU CANADA UNIQUEMENT

Exclusion des propriétaires subséquents : La présente garantie n'est pas transférable sauf si stipulé autrement par la législation en vigueur. Cette garantie vous donne des droits juridiques spécifiques ; vous pouvez également bénéficier de droits supplémentaires propres à chaque province. Certaines provinces et certains territoires ne permettent pas les limitations de garantie ou de recours suite à rupture. Dans ces provinces ou territoires, les limitations indiquées ci-dessus peuvent ne pas s'appliquer à votre cas.

La présente garantie est fournie par :

Vollara, LLC  
300 East Valley Drive,  
Bristol, VA 24201

Si la moindre disposition ou partie de la présente garantie est considérée par un tribunal compétent comme étant invalide, illégale ou non applicable, la validité, légalité et l'applicabilité des dispositions ou parties restantes ne seront en aucun cas affectées ou altérées dans le cadre de la juridiction du tribunal concerné. L'entière de la présente garantie continuera à être valide, légale et de plein effet dans toutes les juridictions où de telles déterminations n'ont pas été observées.

## SERVICE

---

Tous les efforts sont mis en œuvre pour que les clients reçoivent le manuel d'instructions actualisé de leurs produits ; néanmoins, il peut arriver que des modifications de nos produits effectuées sans préavis rendent les informations contenues dans la présente sujettes à modification. Pour obtenir les dernières informations, visitez notre site internet.

Cet appareil a été contrôlé et considéré conforme aux exigences appliquées aux dispositifs numériques de Classe B conformément à l'alinéa 15 des réglementations FCC. Ces exigences sont conçues protéger raisonnablement les utilisateurs de toute interférence nocive dans les installations résidentielles. Cet équipement génère, utilise et peut propager de l'énergie radioélectrique et, s'il n'est pas installé et utilisé conformément aux instructions, peut provoquer des interférences nuisibles aux communications radio. Il n'existe aucune garantie que de telles interférences ne se produiront pas dans une installation particulière. Si cet équipement provoque des interférences nuisibles à la réception des signaux de radio ou de télévision, lesquels peuvent être perçus en éteignant et en allumant l'équipement, l'utilisateur est encouragé à corriger les interférences via l'une des mesures suivantes :

Réorienter ou placer l'antenne de réception à un autre endroit.

Éloigner l'équipement du récepteur.

Connecter l'équipement à une prise située sur un circuit différent de celui sur lequel est connecté le récepteur.

Consulter votre revendeur ou un technicien pour obtenir de l'assistance.

### DÉCLARATION DE CONFORMITÉ FCC

**Nom :** Vollara, LLC

**Modèle :** LivingWater

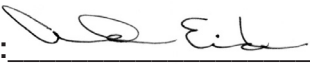
**Fabricant :** Vollara, LLC

Cet appareil est conforme à l'alinéa 15 des réglementations FCC.

### RESPONSABILITÉS

Vollara, LLC  
300 East Valley Drive  
Bristol, VA 24201

Tél : 800.989.2299

**Signature:**  \_\_\_\_\_

**Nom en majuscules :** Andrew Eide

**Titre :** Vice President of Product Development  
and Manufacturing

**Date:** 06/23/17



Pour de plus amples renseignements concernant l'utilisation de cet appareil,  
veuillez contacter le service à la cliente.

**1-800-989-2299**

**[www.vollara.com](http://www.vollara.com)**

Vollara, LLC | 300 East Valley Drive | Bristol, VA 24201 | 800.989.2299

© Vollara, LLC. Tous droits réservés